

## INDEX CAPTO C4 Square 16x16, for turrets on MS machines

### Technical data

TH accessories category

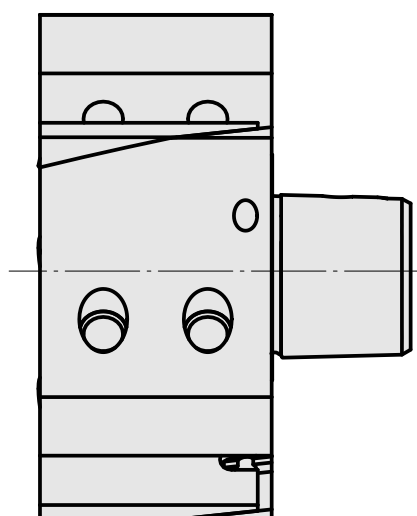
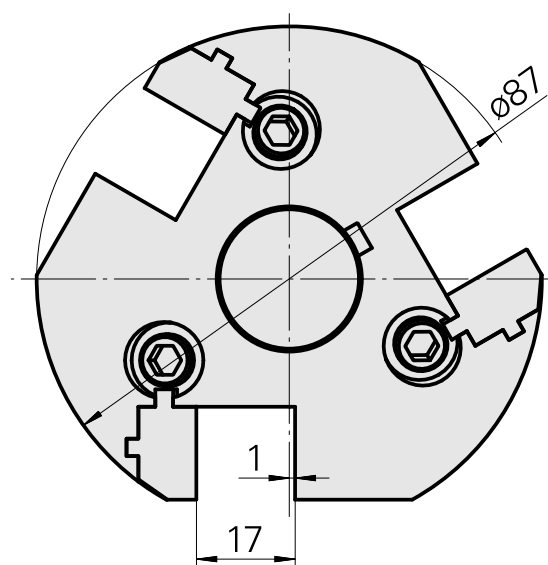
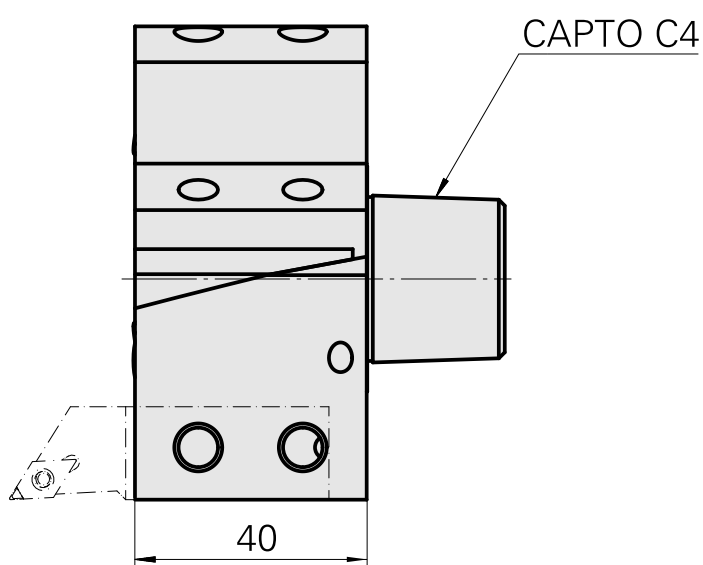
INDEX CAPTO C4

Mounting

Square 16x16

Quick change inserts

Turning tool holder



10421705  
W8400000

**INDEX**

---

## **Documents**

No downloads available for this product