

## Presetting device D80/MS16/MS22 Quersch

### Technical data

TH accessories category

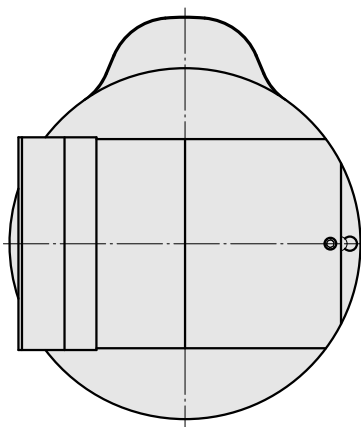
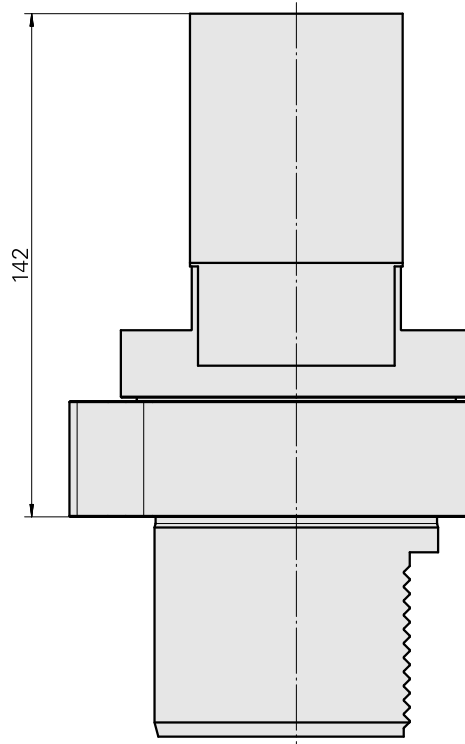
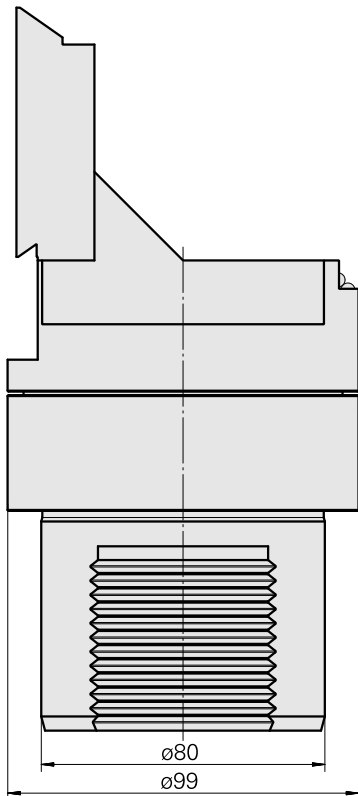
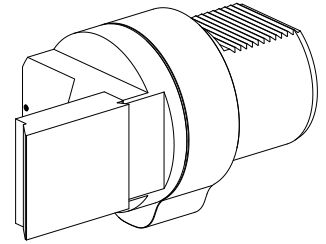
Adapter for presetting units

Mounting

D80 for presetting devices

Tool mounting

MS16/MS22 Cross slide



10404564  
W9990992

**INDEX**

---

## **Documents**

No downloads available for this product