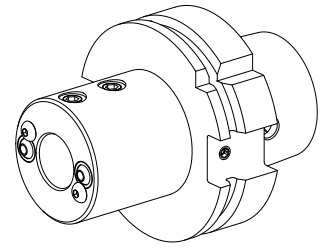

Drilling tool holder HSK 80 B D20 (0.79)

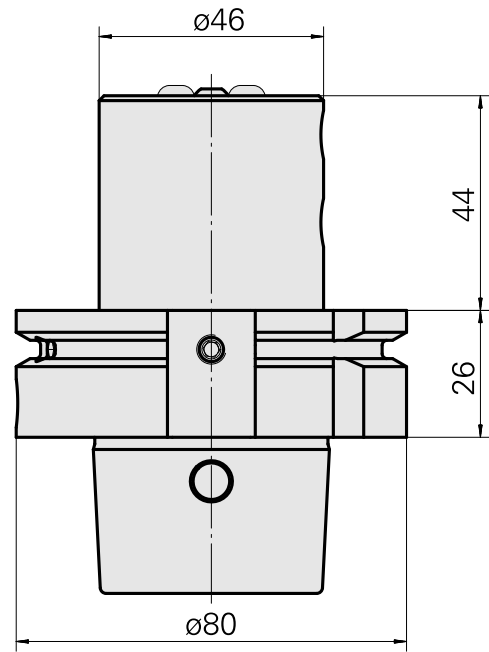
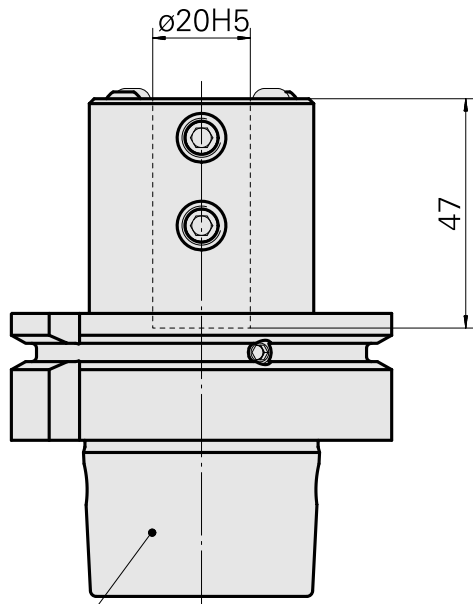
Technical data

Shank HSK	HSK 80
Form HSK	B
Mounting	D20
Cooling	external
Pressure	40 bar
X [mm]	70 (2.76")
INDEX TRAUB products	G400

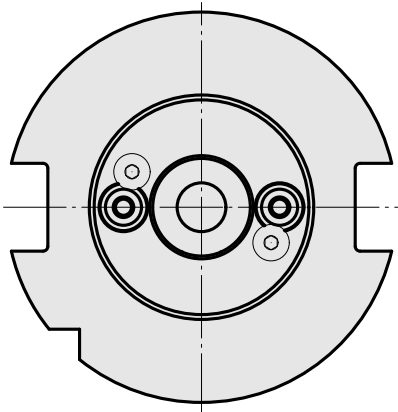


Note

Form B - cooling lubricant is supplied via the collar!



DIN 69893
HSK 80 B



Documents

No downloads available for this product

Accessories

Optional accessories

Other accessories

[Mounting sleeve with collar D20](#)

Product ID : 10063939

Previous product ID : W68510.04--
