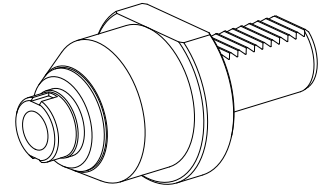

Center holder VDI 30 D15.4 (0.61 ")/Con, elastic, live

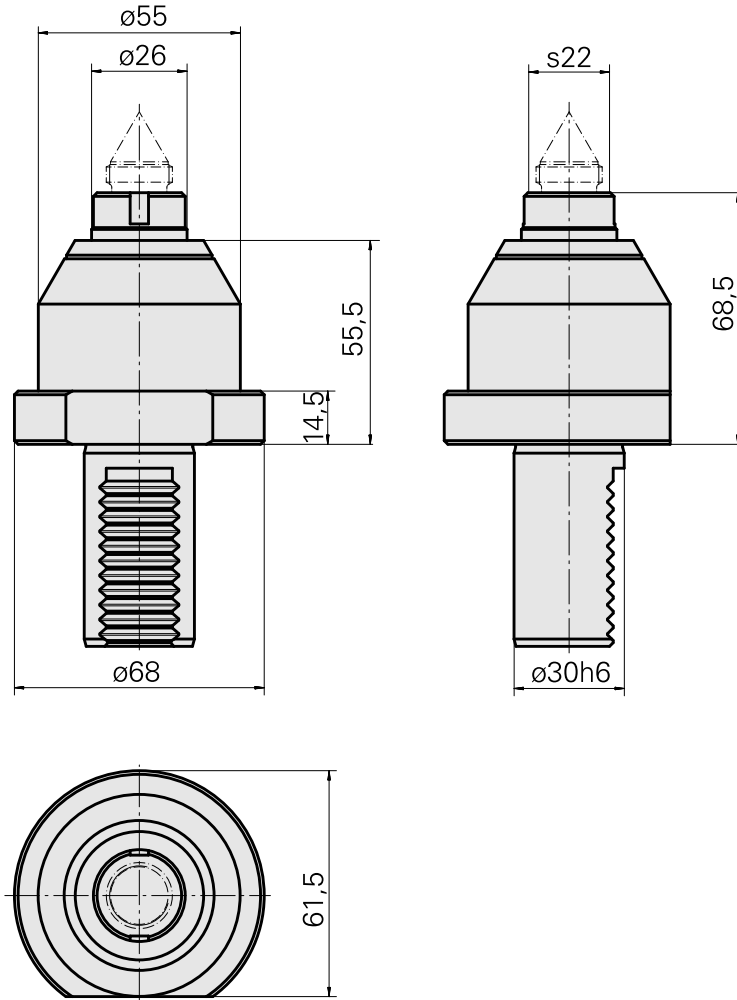
Technical data

Shank VDI	VDI 30
Drive	not live
Fixation VDI	none
Mounting	D15.4/Cone 1:7.5
reversible 180°	no
Data carrier	check tool station bore
X [mm]	68.5 (2.70")
Y [mm]	–
Z [mm]	–
INDEX TRAUB products	V100 • V200 • V160C • V160G • V300



Note

Spring travel 2.7 mm, Yellow ring 0 - 2500 N, Green ring 2500 - 5000 N, Red ring 5000 - 8500 N



Documents

No downloads available for this product

Accessories

Optional accessories

Other accessories

[Center Kegel 1:7.5](#)

Product ID : 10606287

Previous product ID : W9636-.21--
