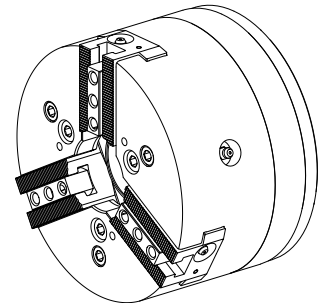


3-jaw chuck

Technical data

INDEX TRAUB products	G200
Spindle clearance	46mm
Machining side	Main spindle • Counter spindle
manufacturer product line	KFD-HS160-46
Spindle mounting	KK 5
manufacturer product line	Roehm



No 3-side view is currently available for this product

Documents

No downloads available for this product

Accessories

Optional accessories

O-Rings

[Gasket ring](#)

Product ID : 10633169

Previous product ID : 479105.6702

manufacturer product line Trelleborg	TSS material no.	Cord size 2.5 Millimeter	manufacturer product line O-ring
---	------------------	-----------------------------	-------------------------------------

[O-RING 50,47X2,62](#)

Product ID : 10753940

Previous product ID : 479103.0502

manufacturer product line Trelleborg	TSS material no.	Cord size 2.62 Millimeter	manufacturer product line O-ring
---	------------------	------------------------------	-------------------------------------

Other accessories

[Mounting jaws Id.Nr 046403 \(3x 116735\)](#)

Product ID : 10645157

Previous product ID : 908127.2951

[Mounting jaws ID-Nr 046404 \(3x 116747\)](#)

Product ID : 10627887

Previous product ID : 908127.2941

[Adaptor](#)

Product ID : 10216272

Previous product ID : 908127.8191

[Adaptor](#)

Product ID : 10295337
Previous product ID : 908127.8181

[Spacer M52x1,5 auf M69x1,5](#)

Product ID : 11042473
Previous product ID : L31132.

[Bush 20014438 U/ZG.NR. 11714](#)

Product ID : 10548744
Previous product ID : L31221.

[O-RING 71.12X 2.62](#)

Product ID : 10954290
Previous product ID : 479103.0712

[Boring fixture Standard-Umfang bis Ø250mm](#)

Product ID : 10362531
Previous product ID : W9991012

[Boring fixture Premium-Umfang bis Ø250mm](#)

Product ID : 10422192
Previous product ID : W9991013
