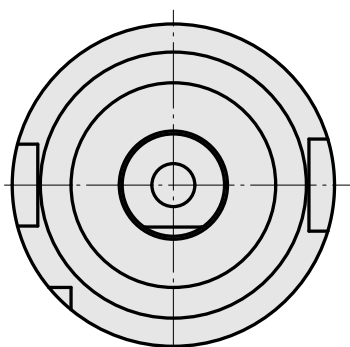
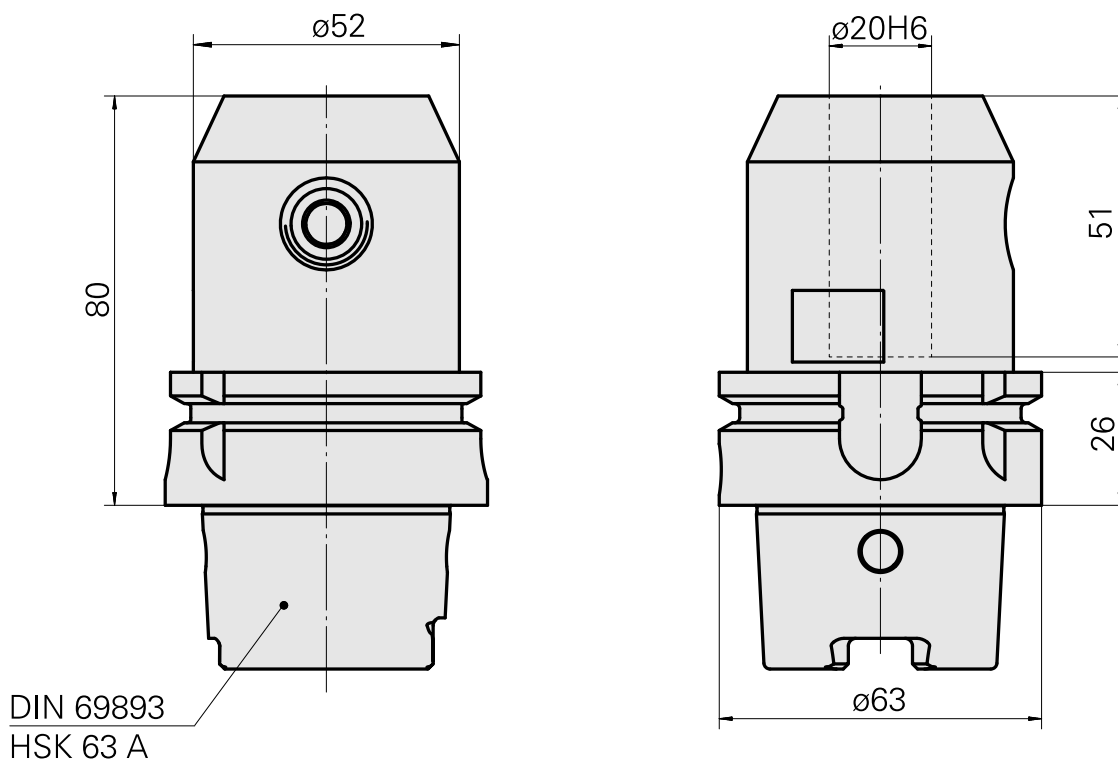
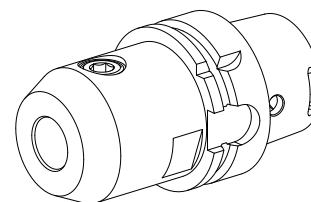


## Portapunte HSK 63 A D20

### Technical data

<b>Gambo HSK</b>	HSK 63
<b>Forma HSK</b>	A
<b>Attacco</b>	D20
<b>Raffreddamento</b>	interno
<b>Pressione</b>	80 bar
<b>X [mm]</b>	80
<b>Prodotti INDEX TRAUB</b>	R300 • G420 • G520 • G320.2 • G220.3 • TNX220.3 • G320.3 compact • G220 • G220.2



## Documents

No downloads available for this product

## Accessories

Required for operation

### [Chiave a tubo quadro](#)

Product ID : 10352082

Previous product ID : WS7800.0010

Categoria acces. portautensile	Attacco HSK 63 A/C
Strumento per adattatore KSS	

### Optional accessories

#### Tool holder accessories

### [Set adattatore refrigerante HSK-A63](#)

Product ID : 11074450

Previous product ID : WS7800.0020

TH accessories category	Mounting HSK 63 A/C
Cooling lubricant transfer set	

### [Coolant adapter kit HSK63, max. 120 bar](#)

Product ID : 12024087

Previous product ID :

TH accessories category	Mounting HSK 63 A/C
Cooling lubricant transfer set	

#### Other accessories

10336873  
W2500054

**INDEX**

---

Bussola attacco con manicotto D20

Product ID : 10063939  
Previous product ID : W68510.04--

---

Grub screw Wohlhaupter-Nr. 115685, 2 Stck

Product ID : 10185229  
Previous product ID : 000001.1380C

---

Ball-Ended Thrust Screws

Product ID : 10767027  
Previous product ID : W00013.0045

---