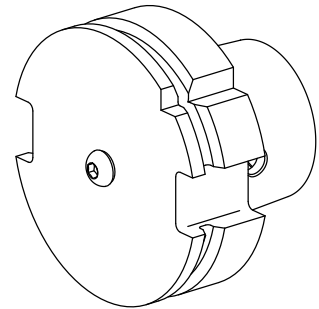


---

## Blanking plug HSK 80 B

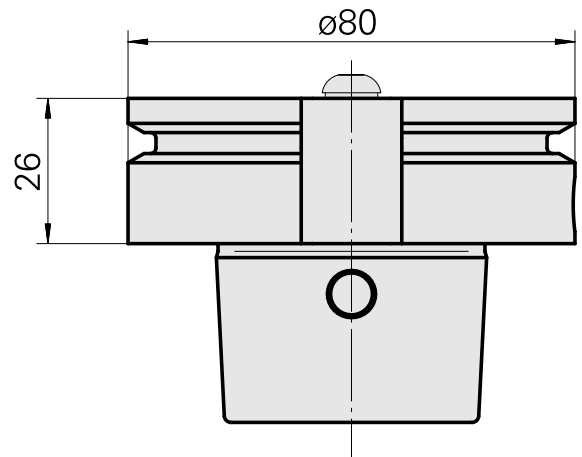
### Technical data

Shank HSK	HSK 80
Form HSK	B
X [mm]	26 (1.02")
INDEX TRAUB products	G400

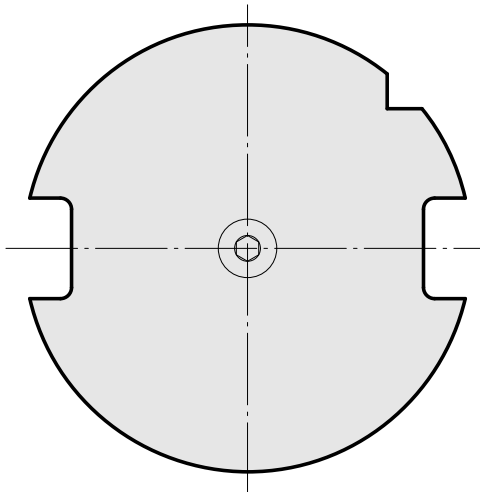


### Note

No rotation permitted!



DIN 69893  
HSK 80 B



## **Documents**

No downloads available for this product