

Drilling tool holder KPS 45 ER16

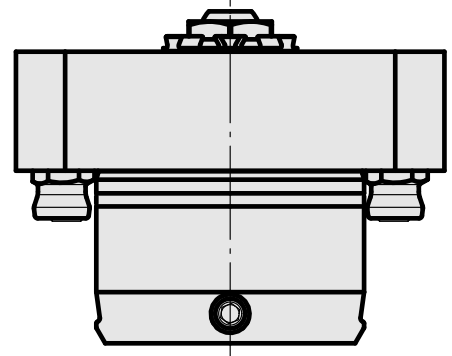
Technical data

Shank KPS	KPS 45
Drive	not live
Cooling	external and internal
Mounting	ER16
Pressure	80 bar
X [mm]	20 (0.79")
Y [mm]	–
Z [mm]	–
INDEX TRAUB products	TNL18



Note

Specially for TRAUB TNL machines having a turret with a B axis!



Documents

No downloads available for this product

Accessories

Required for operation

Spanner

Product ID : 11006246

Previous product ID : 490219.3161

TH accessories category Tool	Mounting ER16	Collet type ER 16	Clamping nut type Male thread
Tools for Collet chucks Clamping nut wrench			

Optional accessories

Tool holder accessories

Clamping nut

Product ID : 10911008

Previous product ID : 901939.5161

TH accessories category Clamping nut	Mounting ER16	Collet type ER 16	Clamping nut type Male thread
---	------------------	----------------------	----------------------------------

Clamping nut, for internal cooling lubricant supply

Product ID : 10546850

Previous product ID : 326691

TH accessories category Clamping nut	Mounting ER16	Collet type ER 16	Clamping nut type Male thread
---	------------------	----------------------	----------------------------------

[Coolant tube, L=100 mm \(3.93"\)](#)

Product ID : 10346684

Previous product ID : W9990559

TH accessories
category
Cooling lubricant tube

Mounting
M6

Other accessories

[Clamping collet](#)

Product ID : 10834596

Previous product ID : 901930.1---

[tapping tool collet ET-1-16](#)

Product ID : 10542491

Previous product ID : 3230--

[Clamping collet](#)

Product ID : 10589709

Previous product ID : W99903--

[tapping tool collet](#)

Product ID : 10865233

Previous product ID : WZ9990.9506F

[Collet chuck](#)

Product ID : 10809952

Previous product ID : W9990065-

[Clamping collet, sealed](#)

Product ID : 10698406

Previous product ID : W999085-

[BUSHING 10 D x 6 D x 12,5](#)

Product ID : 10670360

Previous product ID : W67530.0824

10311319
W7040050

INDEX

Coolant Nozzle

Product ID : 11031912
Previous product ID : W67500.3208

HOLLOW SCREW M14x1 M14x1

Product ID : 10105238
Previous product ID : W67530.0818

Nozzle M6 mit D1,6

Product ID : 10147428
Previous product ID : W00019.0216
