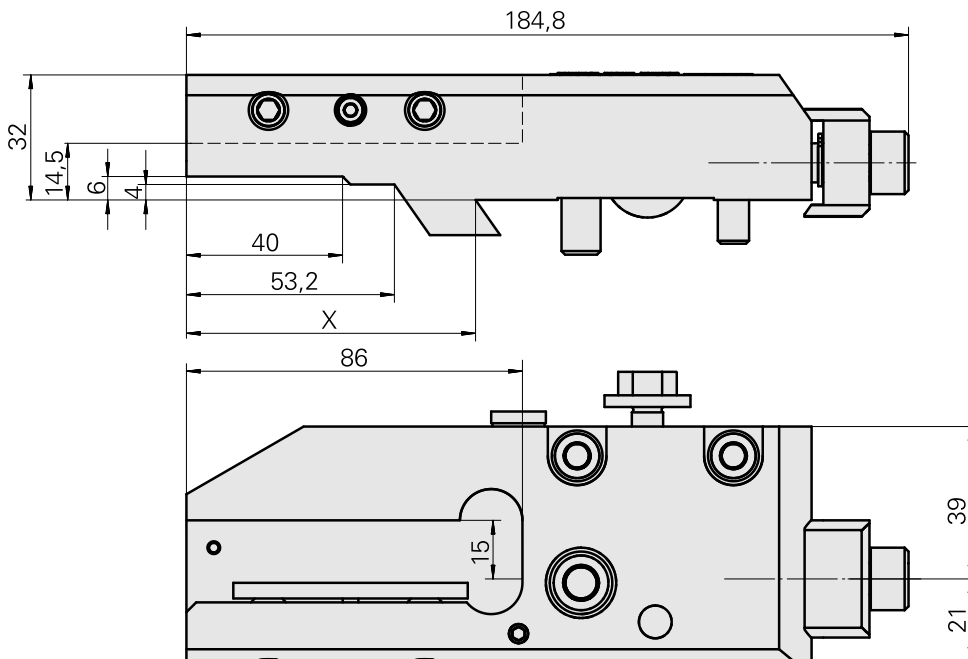
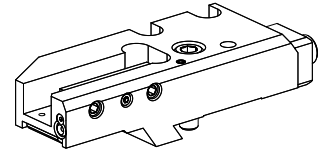


## Grooving tool and stop holder MS32/MS40

### Technical data

<b>Slide system MS</b>	MS32/MS40
<b>Drive</b>	not live
<b>Fixation MS</b>	Dovetail
<b>Cooling</b>	external
<b>Pressure</b>	20 bar
<b>Direction</b>	right-handed run
<b>Mounting</b>	Square 16x16
<b>X [mm]</b>	74 (2.91")
<b>Y [mm]</b>	–
<b>Z [mm]</b>	14.5 (0.57)
<b>INDEX TRAUB products</b>	MS32C • MS32-6.2 • MS32-6.3 • MS40-6



X	74
---	----

## Documents

No downloads available for this product

## Accessories

Required for operation

### [Nozzle #61871](#)

Product ID : 10158718

Previous product ID : W00019.0304

---

Optional accessories

### Other accessories

### [HEX.SOC.PLUG G1/8-ED VSTI R 1/8-ED 231](#)

Product ID : 10962607

Previous product ID : 410773.0012

---