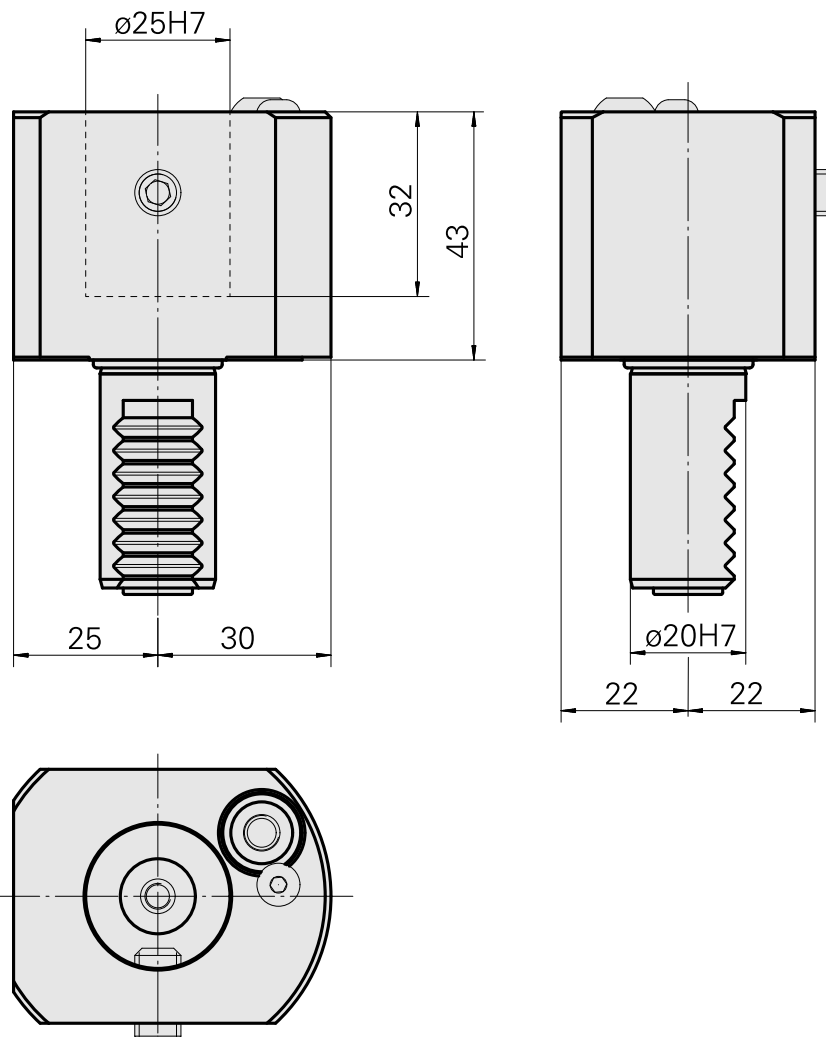
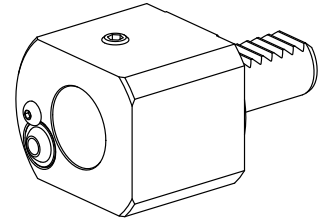


Drilling tool holder VDI 20 D25

Technical data

Shank VDI	VDI 20
Drive	not live
Fixation VDI	none
Cooling	external
Pressure	20 bar
Mounting	D25
reversible 180°	no
X [mm]	43 (1.69")
Y [mm]	-
Z [mm]	-



Documents

No downloads available for this product

Accessories

Optional accessories

Other accessories

[Clamping sleeve D25](#)

Product ID : 10877092

Previous product ID : 993125.----

[SPRAY NOZZLE 14D/M6](#)

Product ID : 10358770

Previous product ID : 474550.0121
