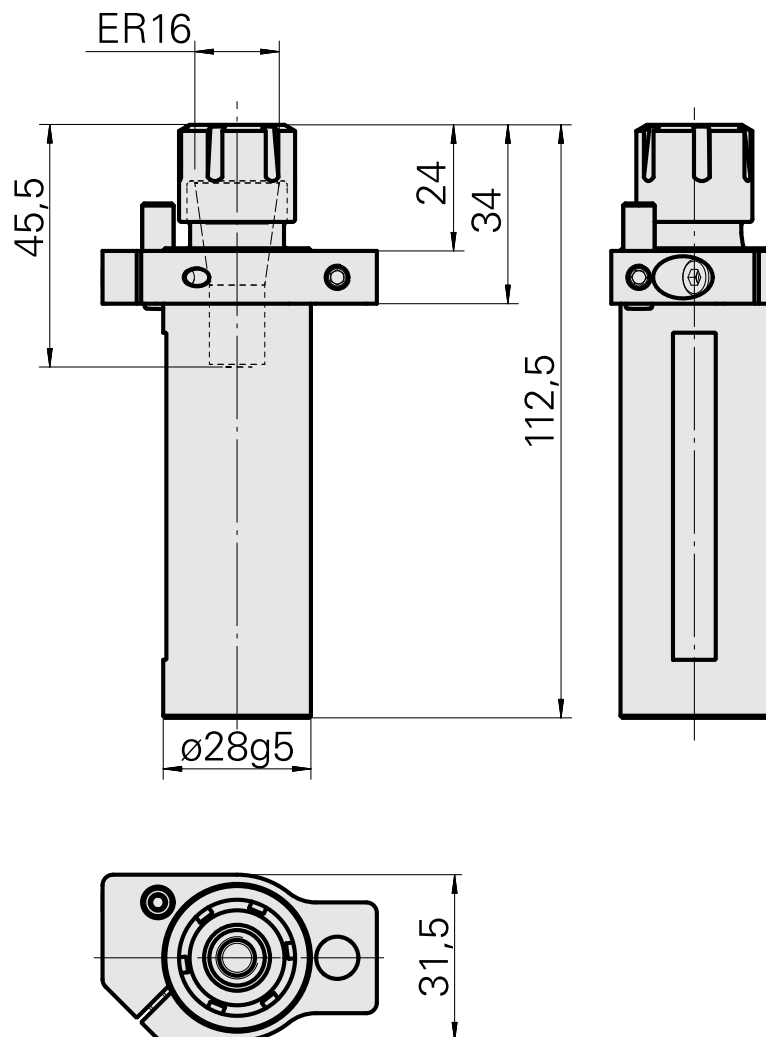
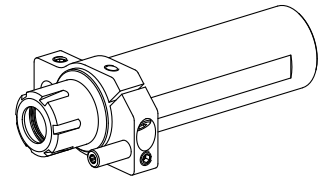


Drilling tool holder Shank 28 ER16

Technical data

Shank TNL	Shank 28
Drive	not live
Fixation TNL	Pre-centering pin
Cooling	internal
Pressure	120 bar
Mounting	ER16
X [mm]	-
Y [mm]	-
Z [mm]	34 (1.34)
INDEX TRAUB products	TNL12 • TNL12.2



Documents

No downloads available for this product

Accessories

Required for operation

COOLANT TUBE COMPLETE

Product ID : 10255957

Previous product ID : 989156

CL feeder, fixed TNL12.2, Back/front working unit

Product ID : 12063156

Previous product ID :

Spanner 7111.16000

Product ID : 10621809

Previous product ID : 490219.2161

TH accessories
category
Tool

Mounting
ER16

Collet type
ER 16

Clamping nut type
Female thread diameter
reduced

Tools for Collet chucks
Clamping nut wrench

Optional accessories

Tool holder accessories

Clamping nut

Product ID : 10178506

Previous product ID : 901939.6161

TH accessories
category
Clamping nut

Mounting
ER16

Collet type
ER 16

Clamping nut type
Female thread diameter
reduced

Other accessories

10266840
950506

INDEX

[Clamping collet](#)

Product ID : 10834596
Previous product ID : 901930.1---

[Clamping collet](#)

Product ID : 10589709
Previous product ID : W99903--

[tapping tool collet ET-1-16](#)

Product ID : 10542491
Previous product ID : 3230--

[tapping tool collet](#)

Product ID : 10865233
Previous product ID : WZ9990.9506F

[Collet chuck](#)

Product ID : 10870393
Previous product ID : W999065-

[Clamping collet, sealed](#)

Product ID : 10433061
Previous product ID : W999083-

[Spanner](#)

Product ID : 12083203
Previous product ID :
