

Saw blade, circular saw blade width 1 mm (0.039")

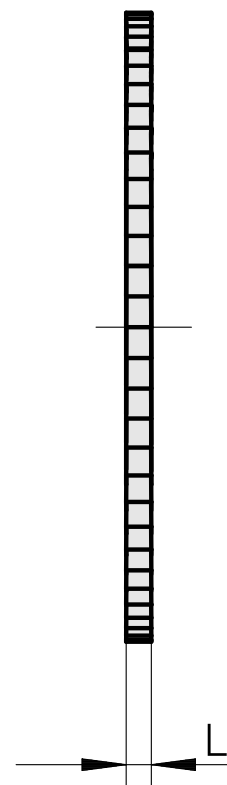
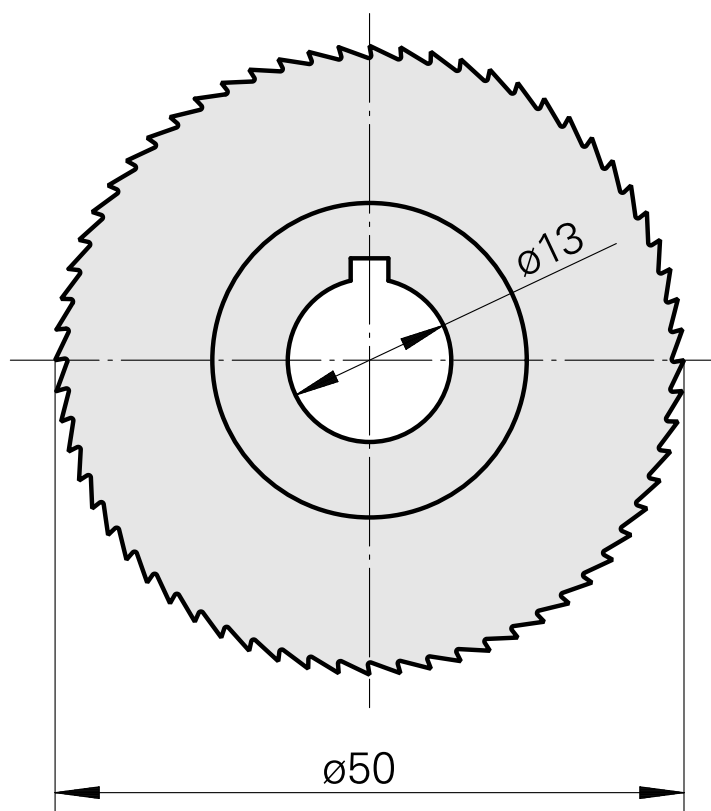
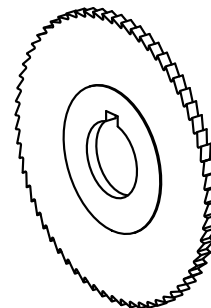
Technical data

TH accessories category

Circular saw blade d50

Tool mounting

13mm



Documents

No downloads available for this product