

WFB 32-20 Shrink-fit mounting D10

Technical data

TH accessories category

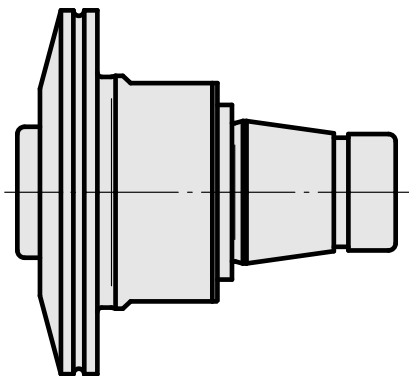
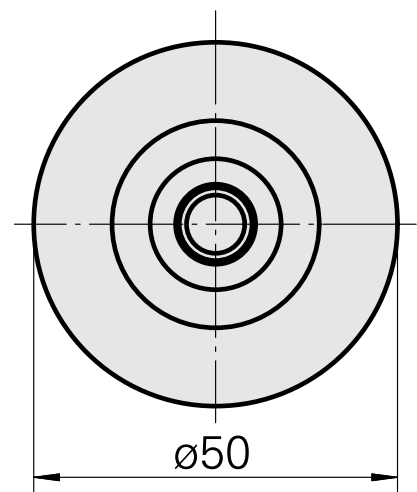
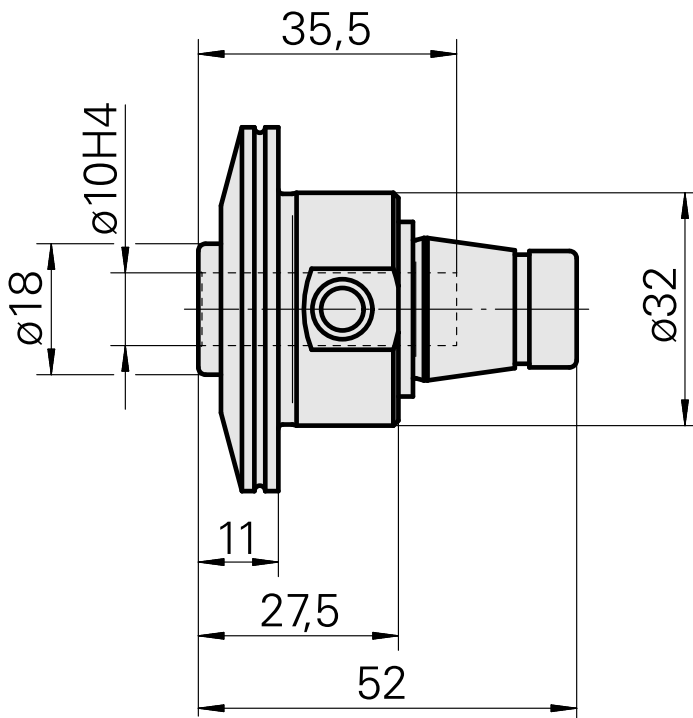
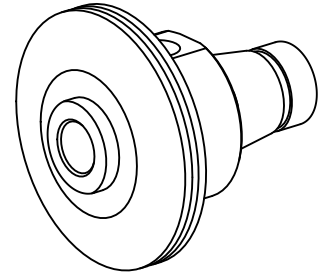
WFB 32-20

Mounting

Shrink-fit mounting D10

Quick change inserts

shrink-fit mounting



Documents

No downloads available for this product