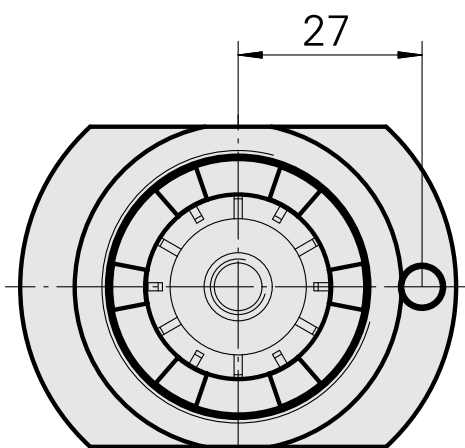
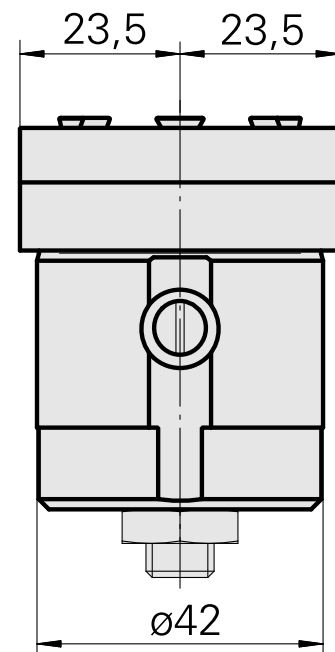
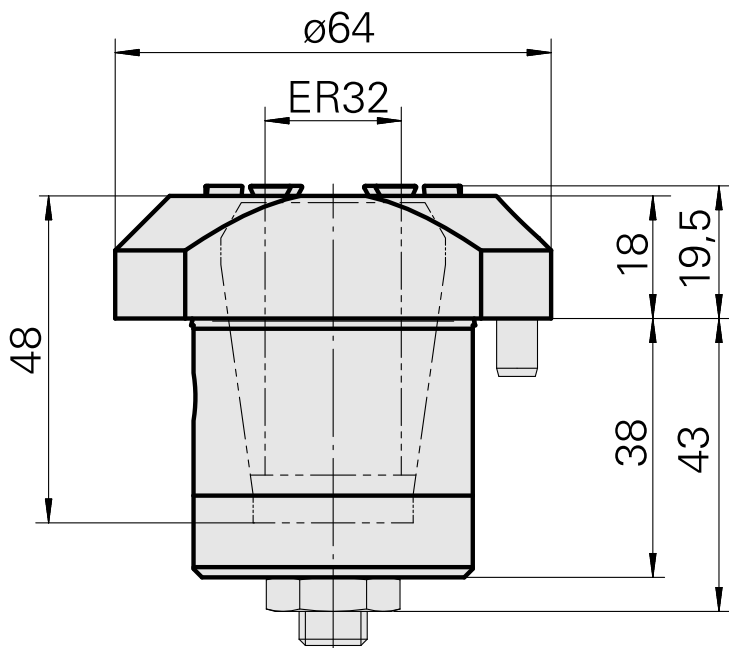
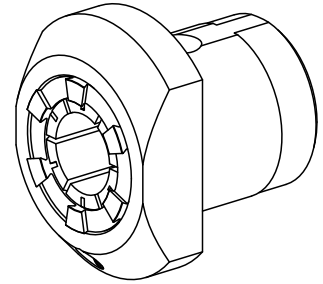


Drill holding block ER32

Technical data

Drive	not live
Fixation MS	Shank D42
Mounting	ER32
X [mm]	18 (0.71")
Y [mm]	-
Z [mm]	-
INDEX TRAUB products	MS52C • A200-6 • MS52-6.3



Documents

No downloads available for this product

Accessories

Required for operation

[Spanner](#)

Product ID : 10174063

Previous product ID : 325767

TH accessories category Tool	Mounting ER32	Collet type ER 32	Clamping nut type Male thread
Tools for Collet chucks Clamping nut wrench			

Optional accessories

Tool holder accessories

[Clamping nut](#)

Product ID : 10322936

Previous product ID : 325950

TH accessories category Clamping nut	Mounting ER32	Collet type ER 32	Clamping nut type Male thread
---	------------------	----------------------	----------------------------------

Other accessories

[Clamping collet](#)

Product ID : 10187712

Previous product ID : 901930.6---

[tapping tool collet ET-1-32](#)

Product ID : 10640099

Previous product ID : 3242--

10197173
W9990312

INDEX

[tapping tool collet](#)

Product ID : 10601144
Previous product ID : WZ9990.9509F

[Collet chuck](#)

Product ID : 10659178
Previous product ID : W999068-
