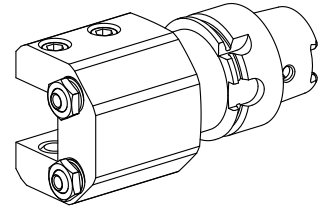


## Turning tool holder HSK 40 T square 20x2

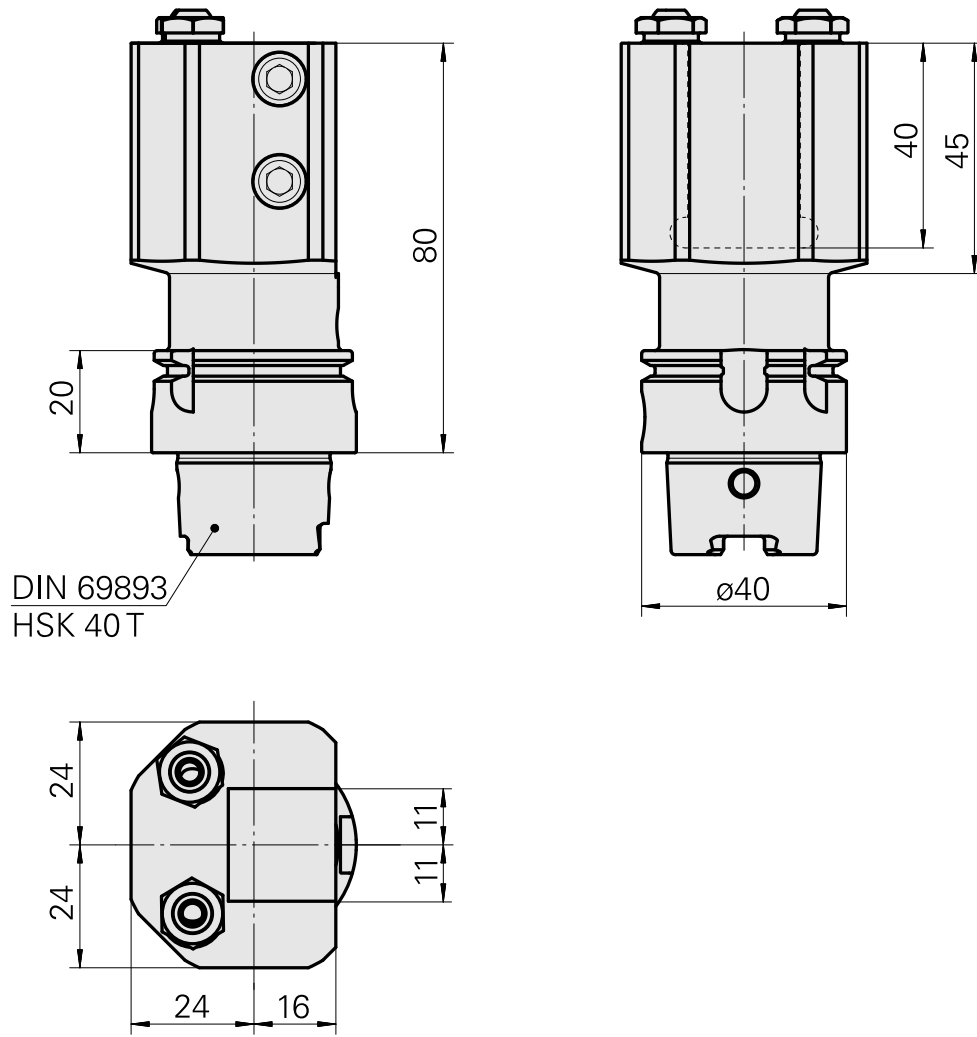
### Technical data

<b>Shank HSK</b>	HSK 40
<b>Form HSK</b>	T
<b>Mounting</b>	Square 20x20
<b>Cooling</b>	external
<b>Pressure</b>	80 bar
<b>X [mm]</b>	80 (3.15")
<b>Z [mm]</b>	16 (0.63)
<b>INDEX TRAUB products</b>	G220.3 • G220 • R200 • TNX65/42 • TNX220.3



### Note

Not suitable for INDEX G160, G250 and G400! Adjacent stations in the tool magazine can only be used to a limited extent!



## Documents

No downloads available for this product

## Accessories

Required for operation

### [Socket wrench](#)

Product ID : 10532354

Previous product ID : WS7400.0010

TH accessories  
category  
Tool for KSS adapter

Mounting  
HSK 40 A/C

Optional accessories

### **Tool holder accessories**

### [Coolant adapter kit](#)

Product ID : 10581780

Previous product ID : WS7400.0020

TH accessories  
category  
Cooling lubricant  
transfer set

Mounting  
HSK 40 A/C

### [Coolant supply, max. 120 bar](#)

Product ID : 12024083

Previous product ID :

TH accessories  
category  
Cooling lubricant  
transfer set

Mounting  
HSK 40 A/C

---

[Tube, L=100 mm \(3.93"\)](#)

Product ID : 10303677  
Previous product ID : W9990910

TH accessories category Cooling lubricant tube	Mounting M5
--	----------------

[Angle, height 8 mm \(0.31"\), width 8 mm \(0.31"\)](#)

Product ID : 10271441  
Previous product ID : W63300.0010

TH accessories category Compensation bracket	Mounting Square 20x20
--	--------------------------

[Angle, Height 4 mm, Width 4 mm](#)

Product ID : 10135472  
Previous product ID : W63300.0020

TH accessories category Compensation bracket	Mounting Square 20x20
--	--------------------------

**Other accessories**

[Bush 4x8x12](#)

Product ID : 10831938  
Previous product ID : W02010.0002

---

[Hollow screw M12x1](#)

Product ID : 10757766  
Previous product ID : W02013.0001

---

[Ball nozzle D8xM5](#)

Product ID : 10392450  
Previous product ID : W02019.0002

---

10183544  
W2350013

**INDEX**

---

Nozzle Kugel-D8

Product ID : 10007891

Previous product ID : 904837

---