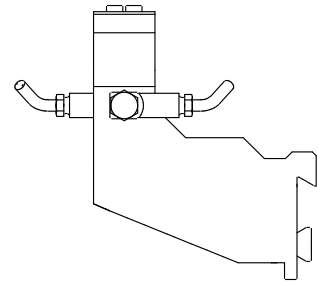


Bohrhalter Rundprisma D20

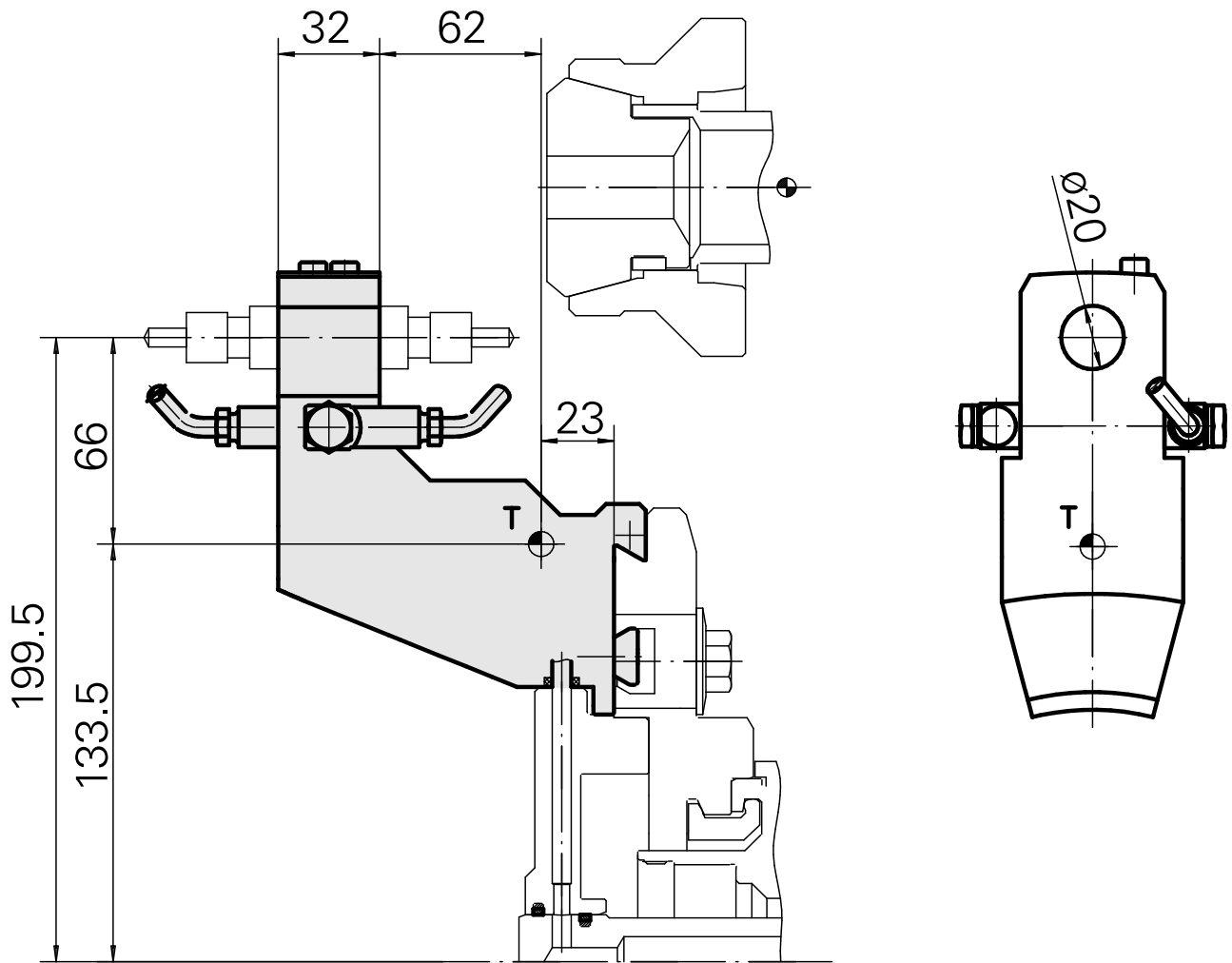
Technical data

Shank TNL	Circular prism
Drive	not live
Fixation TNL	Central tensioning screw
Cooling	external
Pressure	30 bar
Mounting	D20
INDEX TRAUB products	TNK36 • TNL26



Note

A collision check must be carried out before use!



10165823
984690

INDEX

Documents

No downloads available for this product