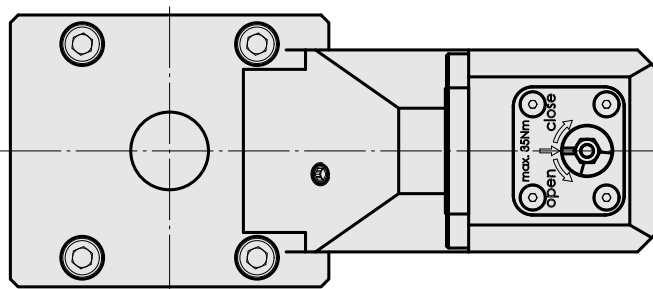
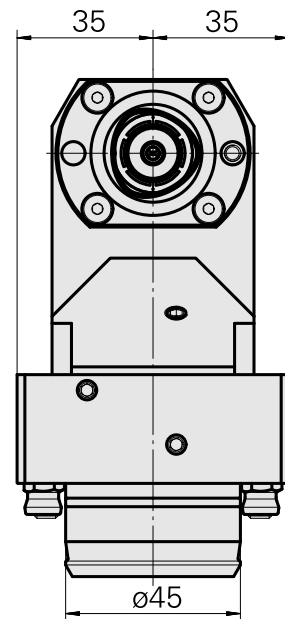
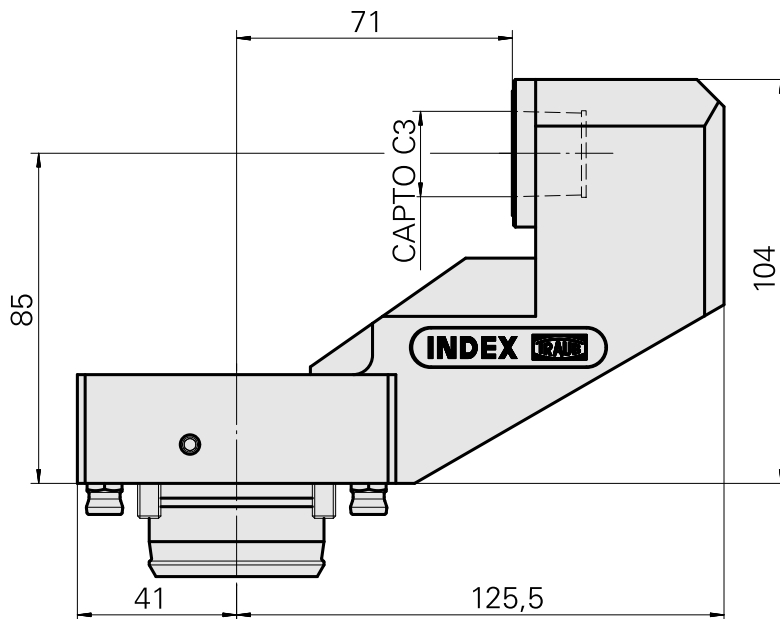


## Basic holder KPS 45 INDEX CAPTO C3

### Technical data

<b>Shank KPS</b>	KPS 45
<b>Drive</b>	not live
<b>Cooling</b>	internal
<b>Mounting</b>	INDEX CAPTO C3
<b>Pressure</b>	80/120 bar
<b>reversible 180°</b>	no
<b>X [mm]</b>	85 (3.35")
<b>Y [mm]</b>	-
<b>Z [mm]</b>	-71 (-2.80)
<b>INDEX TRAUB products</b>	TNL18 • TNL20 • TNL32-11 • TNL32 • TNL32-11 compact • TNL20-11 • TNL32 compact • TNK40.2-10 • TNL20.2 • TNK40.2



## **Documents**

### **Product notes**

[FR \(pdf\)](#)

[EN \(pdf\)](#)

[DE \(pdf\)](#)

## **Accessories**

### Optional accessories

#### **Other accessories**

#### [Adapter INDEX CAPTO C3 rotating](#)

Product ID : 10925971

Previous product ID : WZ9990.3000F

---

#### [Adapter INDEX CAPTO C3 fixed](#)

Product ID : 12062333

Previous product ID :

---