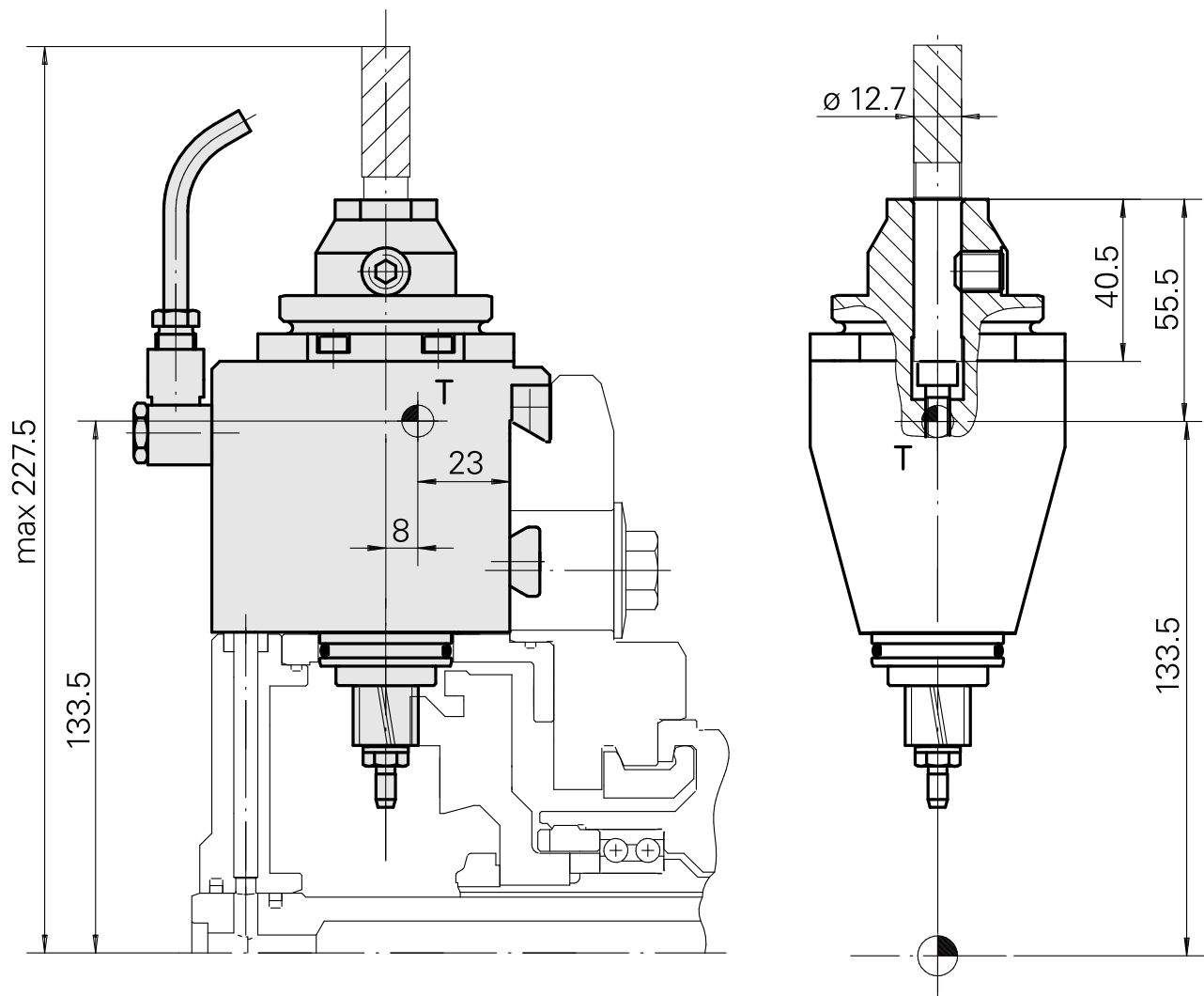


## Milling unit Circular prism 1:1 D12.7 (0)

### Technical data

Shank TNL	Circular prism
Drive	Overall drive
Fixation TNL	Central tensioning screw
Speed ratio	1:1
Cooling	external
Pressure	30 bar
Mounting	D12.7
INDEX TRAUB products	TNK36 • TNL26



## Documents

No downloads available for this product

## Accessories

Optional accessories

### Other accessories

#### [Tube 100LG](#)

Product ID : 10929574

Previous product ID : 818617

---

#### [Cap screw 406-612](#)

Product ID : 10067675

Previous product ID : 314740

---

#### [Conical ring 6D](#)

Product ID : 10057204

Previous product ID : 314739

---

#### [Multiple swivel joint M10X1/M10X1/VOG / 506-140](#)

Product ID : 10829996

Previous product ID : 314431

---