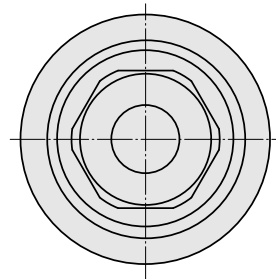
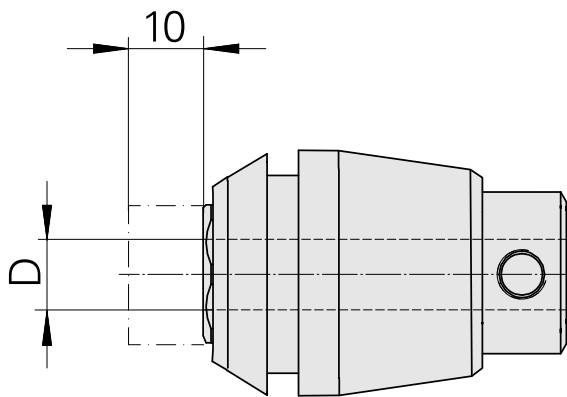


## ER-Collet chuck for taps ET 1-32 5.6mm

### Technical data

TH accessories category	ER-Collet chuck for taps
Mounting	ER32
Tool mounting	5.6mm
Collet type	ET 1-32



10132915  
324254

**INDEX**

---

## **Documents**

No downloads available for this product