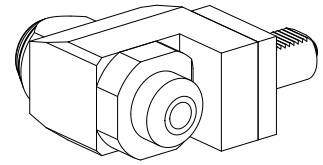


Drilling unit VDI 40 1:1 DIN 1835 B/E D2

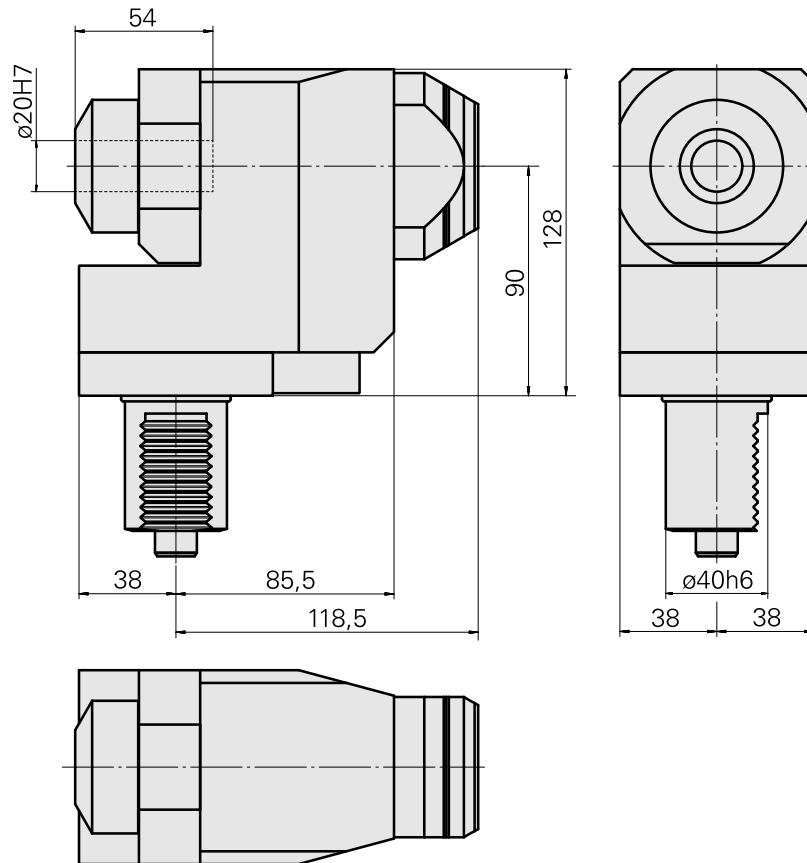
Technical data

Shank VDI	VDI 40
Drive	Spline shaft B17x14
Fixation VDI	Aligning system
Speed ratio	1:1
Cooling	external and internal
Pressure	40 bar
Mounting	DIN 1835 B/E D20
reversible 180°	no
Direction	same as drive direction
X [mm]	90 (3.54")
Y [mm]	–
Z [mm]	39 (1.54)
INDEX TRAUB products	TNA400



Note

No dry-run permitted!



Documents

No downloads available for this product

Accessories

Optional accessories

Other accessories

[Mounting sleeve with collar D20](#)

Product ID : 10063939

Previous product ID : W68510.04--
