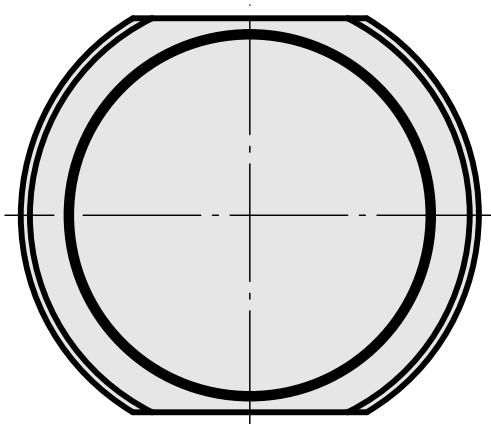
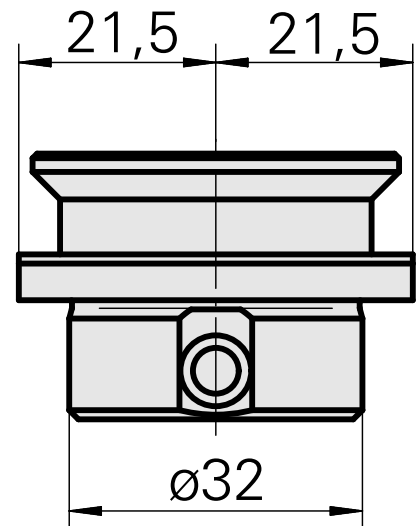
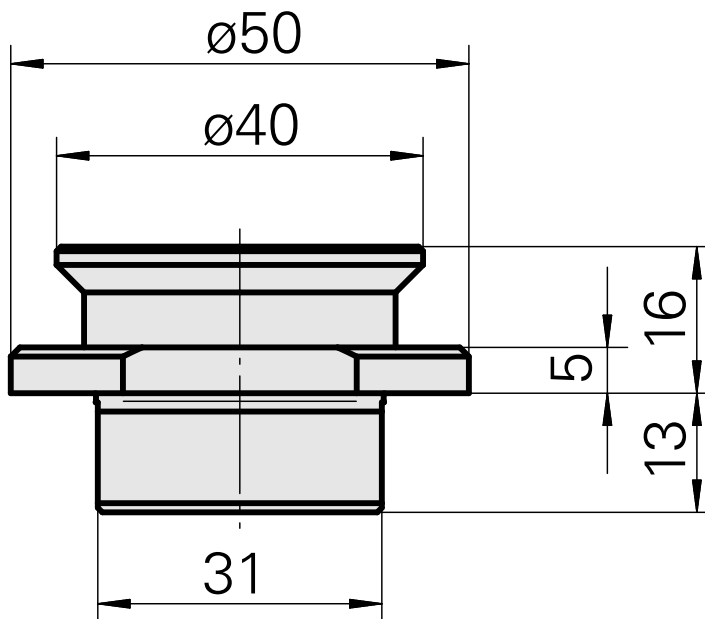
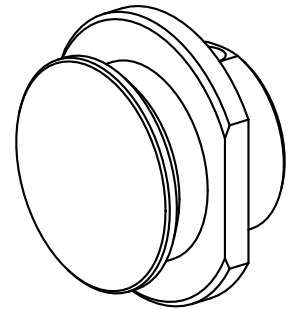


Blanking plug

Technical data

| | |
|----------------------|------------------|
| Drive | not live |
| Fixation MS | Shank D32 |
| X [mm] | 16 (0.63") |
| Y [mm] | - |
| Z [mm] | - |
| INDEX TRAUB products | MS52C • MS52-6.3 |



Documents

No downloads available for this product