

## WFB 20-12 D1/4"

### Technical data

TH accessories category

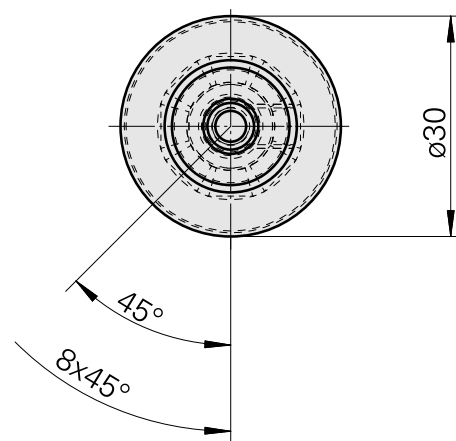
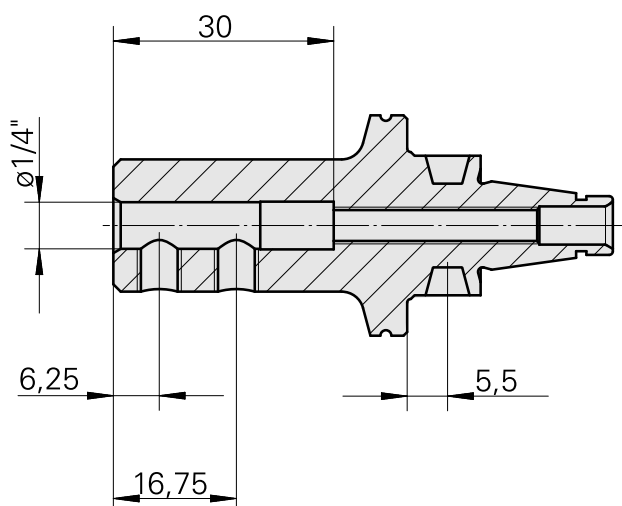
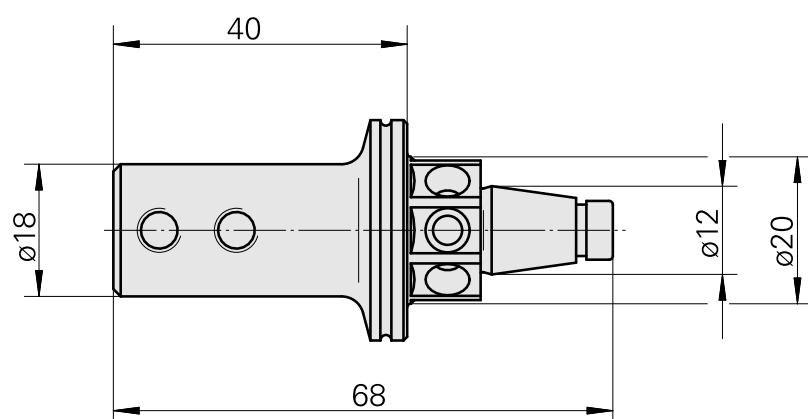
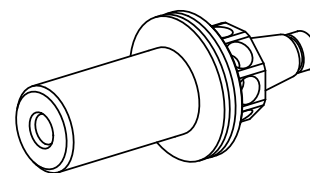
WFB 20-12

Mounting

D1/4"

Quick change inserts

Boring tool holder



## Documents

No downloads available for this product

## Accessories

Optional accessories

### Other accessories

#### [Adjusting screw M 5x15](#)

Product ID : 10491071

Previous product ID : 326794

---

#### [Grub screw](#)

Product ID : 10518942

Previous product ID : 410156.0605

---