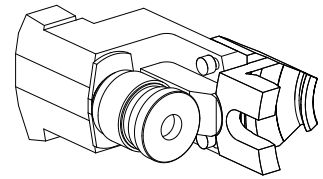


## Thread whirling attachment

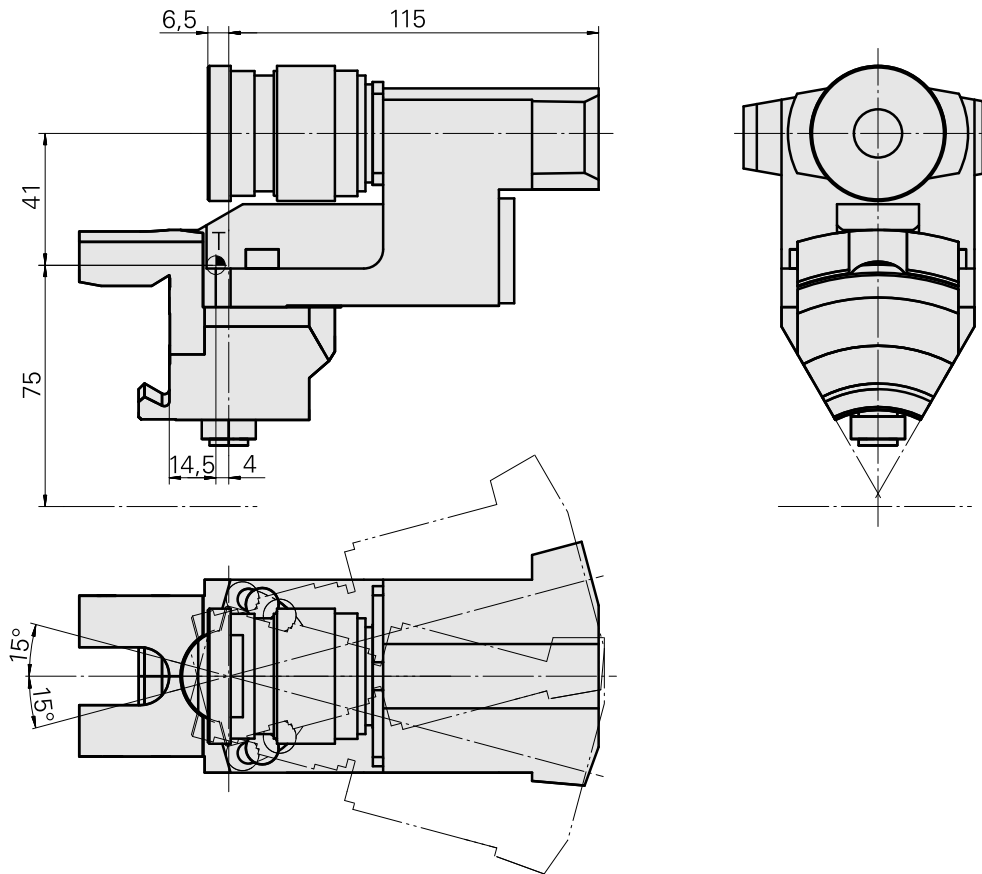
### Technical data

<b>Shank TNL</b>	Circular prism
<b>Drive</b>	Spur gear TRAUB TNL12
<b>Fixation TNL</b>	Central tensioning screw
<b>Speed ratio</b>	1:1,53
<b>Cooling</b>	internal
<b>Pressure</b>	30 bar
<b>reversible 180°</b>	no
<b>Direction</b>	opposite to drive direction
<b>X [mm]</b>	41 (1.61")
<b>Y [mm]</b>	–
<b>Z [mm]</b>	2.5 (0.01)
<b>INDEX TRAUB products</b>	TNL12 • TNL12.2



### Note

The machine requires the "Cooling lubricant and lock-out air supply" option (part number 10864730/TNL12, 12139396/TNL12.2). Adjacent stations can only be used to a limited extent!



## Documents

No downloads available for this product

## Accessories

Optional accessories

### Other accessories

#### [Flemmring](#)

Product ID : 10178083

Previous product ID : 835256

---

#### [Bolt](#)

Product ID : 10175866

Previous product ID : 835257

---