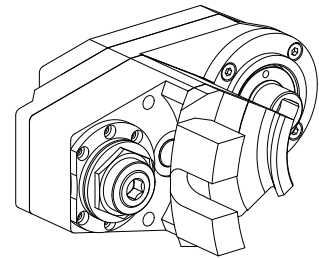


Circular saw unit Circular prism 4,18:1, 640 rpm

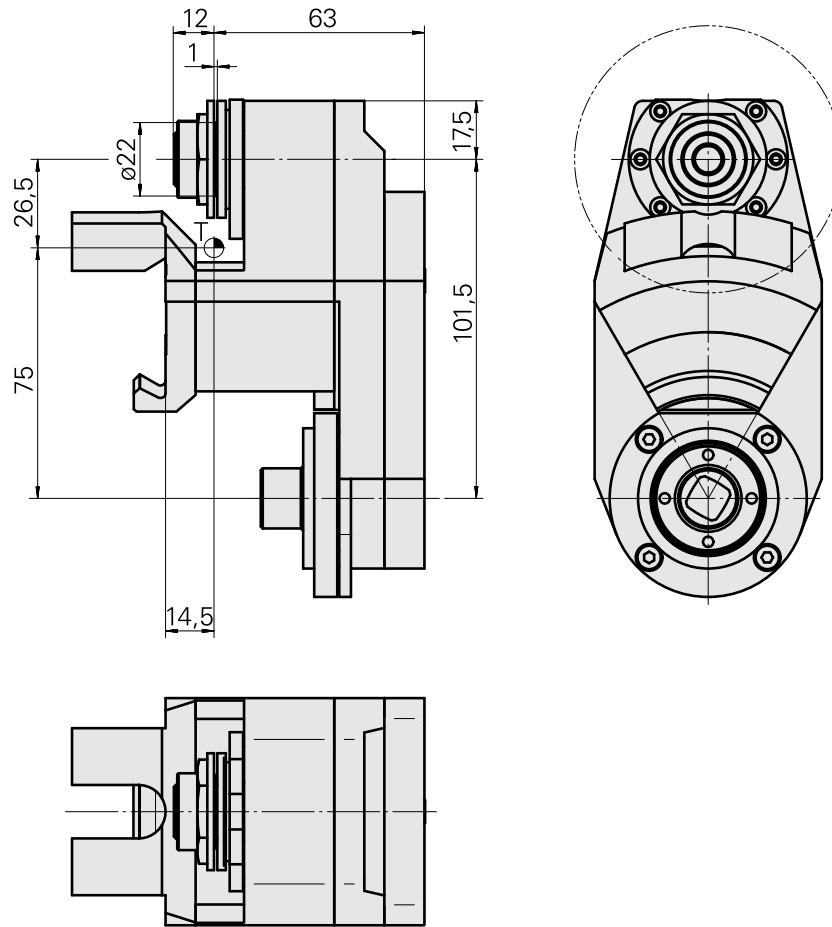
Technical data

Shank TNL	Circular prism
Drive	Spur gear TRAUB TNL12
Fixation TNL	Central tensioning screw
Speed ratio	4,18:1
Mounting	Milling shaft D22
reversible 180°	no
Direction	same as drive direction
X [mm]	26.5 (1.04")
Y [mm]	–
Z [mm]	12 (0.47)
INDEX TRAUB products	TNL12 • TNL12.2



Note

The maximum diameter of the side milling cutter is 80 mm! Adjacent stations can only be used to a limited extent!



Documents

No downloads available for this product

Accessories

Optional accessories

Other accessories

[Saw blade](#)

Product ID : 10961996

Previous product ID : 223010.63--
