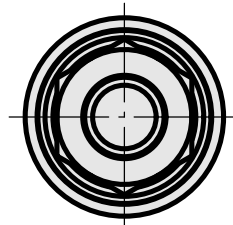
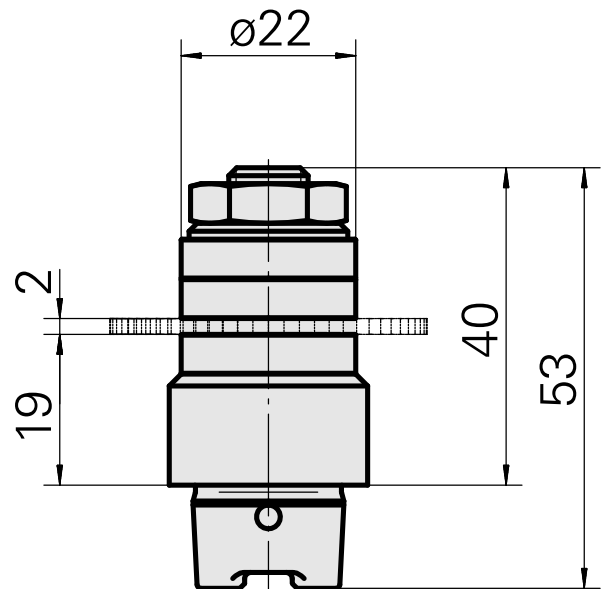
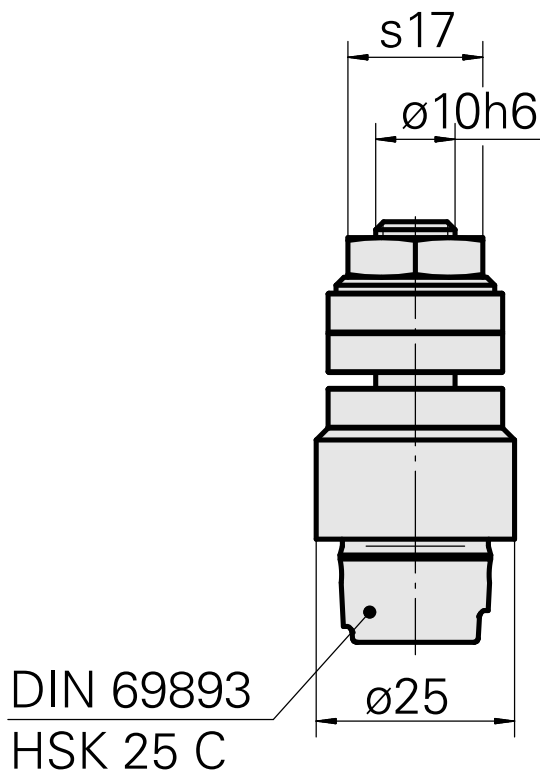
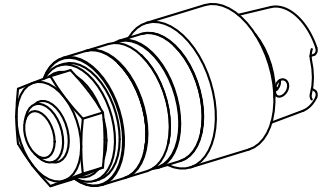


## Milling cutter holder HSK 25 C Milling s

### Technical data

Shank HSK	HSK 25
Form HSK	C
Mounting	Milling shaft D10
Cooling	internal
Pressure	40 bar
X [mm]	19 (0.75")
INDEX TRAUB products	MS22-6 • MS22-8 • MS16-6



## **Documents**

No downloads available for this product