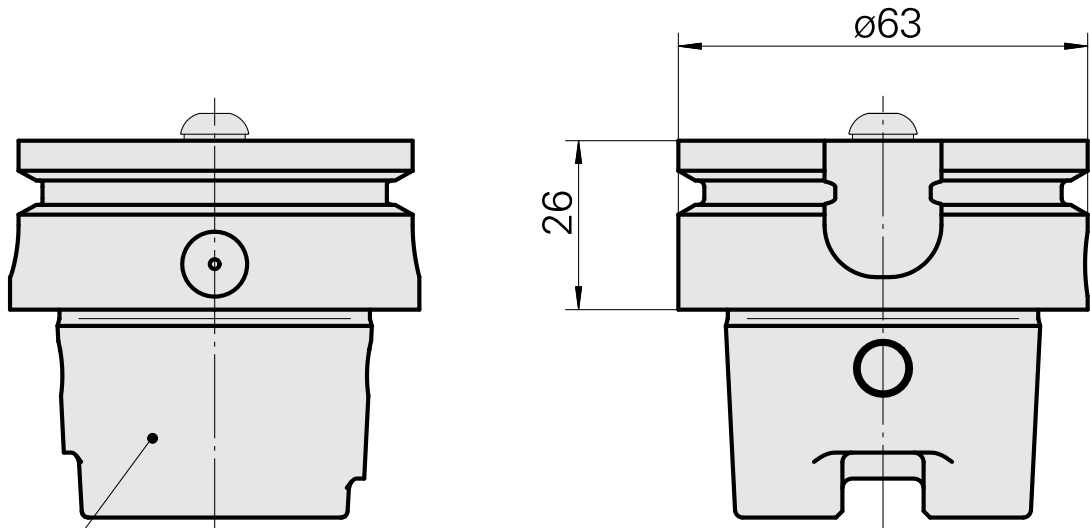
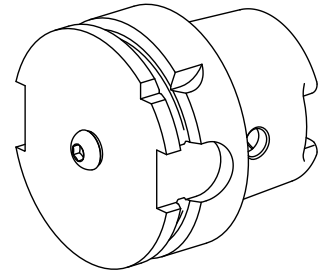


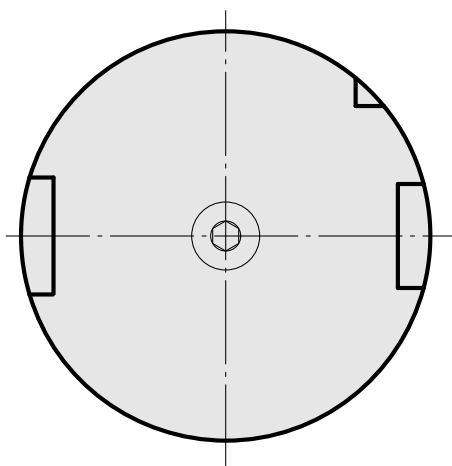
Calibrating tool HSK 63 A, for measuring the clamping stroke

Technical data

Shank HSK	HSK 63
Form HSK	A
X [mm]	26 (1.02")
INDEX TRAUB products	G220 • R300 • G420 • G520 • G320.2 • G220.3 • TNX220.3 • G320.3 compact



DIN 69893
HSK 63 A



Documents

No downloads available for this product

Accessories

Required for operation

[Socket wrench](#)

Product ID : 10352082

Previous product ID : WS7800.0010

TH accessories
category
Tool for KSS adapter

Mounting
HSK 63 A/C

Optional accessories

Tool holder accessories

[Coolant adapter kit HSK-A63](#)

Product ID : 11074450

Previous product ID : WS7800.0020

TH accessories
category
Cooling lubricant
transfer set

Mounting
HSK 63 A/C

[Coolant adapter kit HSK63, max. 120 bar](#)

Product ID : 12024087

Previous product ID :

TH accessories
category
Cooling lubricant
transfer set

Mounting
HSK 63 A/C