

3-jaw chuck

Technical data

INDEX TRAUB products

MS40-6 • MS40P • MS40-8

Spindle clearance

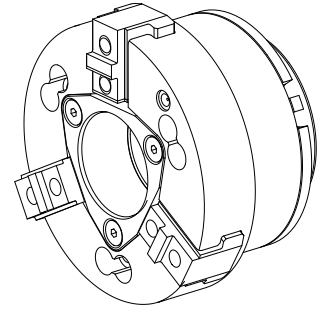
40mm

Machining side

Main spindle

Spindle mounting

AP72



No 3-side view is currently available for this product

Documents

No downloads available for this product

Accessories

Optional accessories

Other accessories

[Mounting jaws für 908127.3121](#)

Product ID : 10182907

Previous product ID : 498121.0471

[Socket head screw](#)

Product ID : 10981842

Previous product ID : 410260.0660

[Socket head screw](#)

Product ID : 10997130

Previous product ID : 410260.0820

[SOCKET HD.SCREW 8X20](#)

Product ID : 10852917

Previous product ID : 410270.0820

[Boring fixture für 908127.3121](#)

Product ID : 10048156

Previous product ID : 908127.8091
