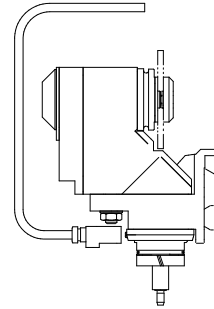


## Polygon turning unit Circular prism 2:1, $\pm 15^\circ$

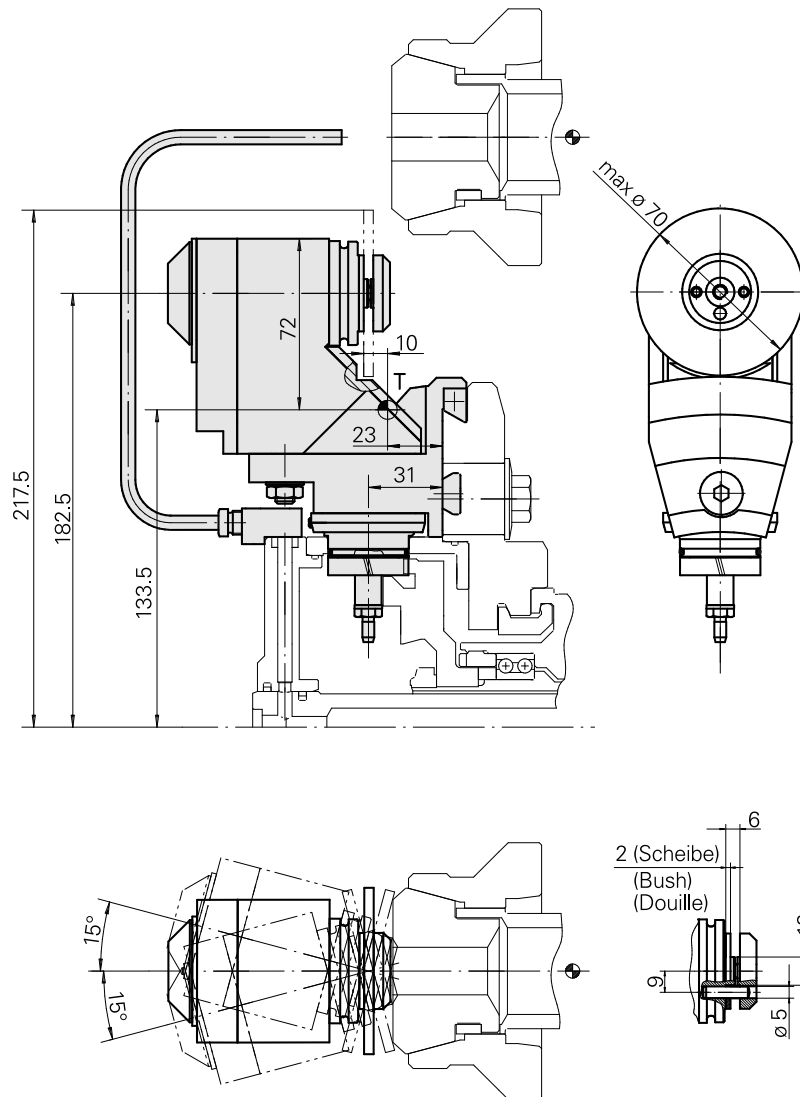
### Technical data

<b>Shank TNL</b>	Circular prism
<b>Drive</b>	Overall drive
<b>Fixation TNL</b>	Central tensioning screw
<b>Speed ratio</b>	2:1
<b>Cooling</b>	external
<b>Pressure</b>	30 bar
<b>Mounting</b>	D12
<b>INDEX TRAUB products</b>	TNK36 • TNL26



### Note

Can only be used on turrets with an X axis!



## **Documents**

No downloads available for this product