

## Embossing roll holder VDI 20

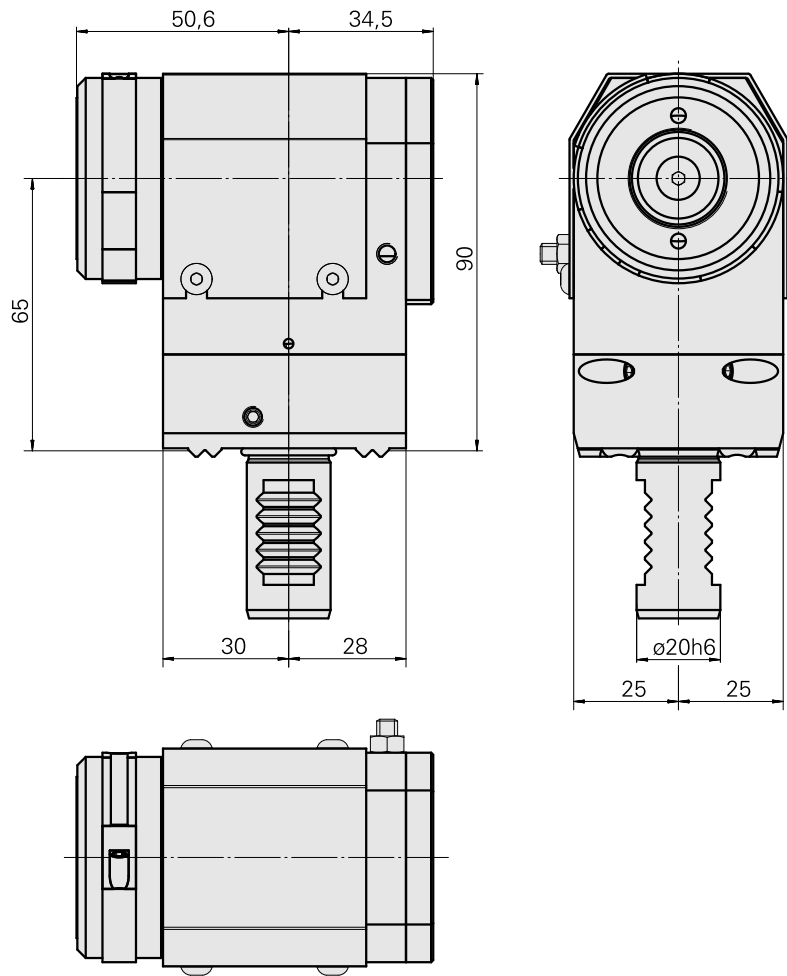
### Technical data

Shank VDI	VDI 20
Drive	not live
Fixation VDI	W serration
Cooling	internal
Pressure	40 bar
reversible 180°	yes
X [mm]	65 (2.56")
Y [mm]	–
Z [mm]	50.5 (1.99)
INDEX TRAUB products	C100



### Note

Cooling lubricant supply unit required!  
Cooling lubricant supply unit required!



---

## Documents

No downloads available for this product

## Accessories

Optional accessories

### Tool holder accessories

#### [Embossing roller, D50 mm \(1.96"\)](#)

Product ID : 10609077

Previous product ID : W63380.0030

TH accessories  
category  
Embossing roller

#### [Embossing roller, D60 mm \(2.36"\)](#)

Product ID : 10446615

Previous product ID : W63380.0060

TH accessories  
category  
Embossing roller

### Other accessories

#### [CLOSING PLUG D 10,5 x 7,5](#)

Product ID : 10908863

Previous product ID : W67530.1212

---