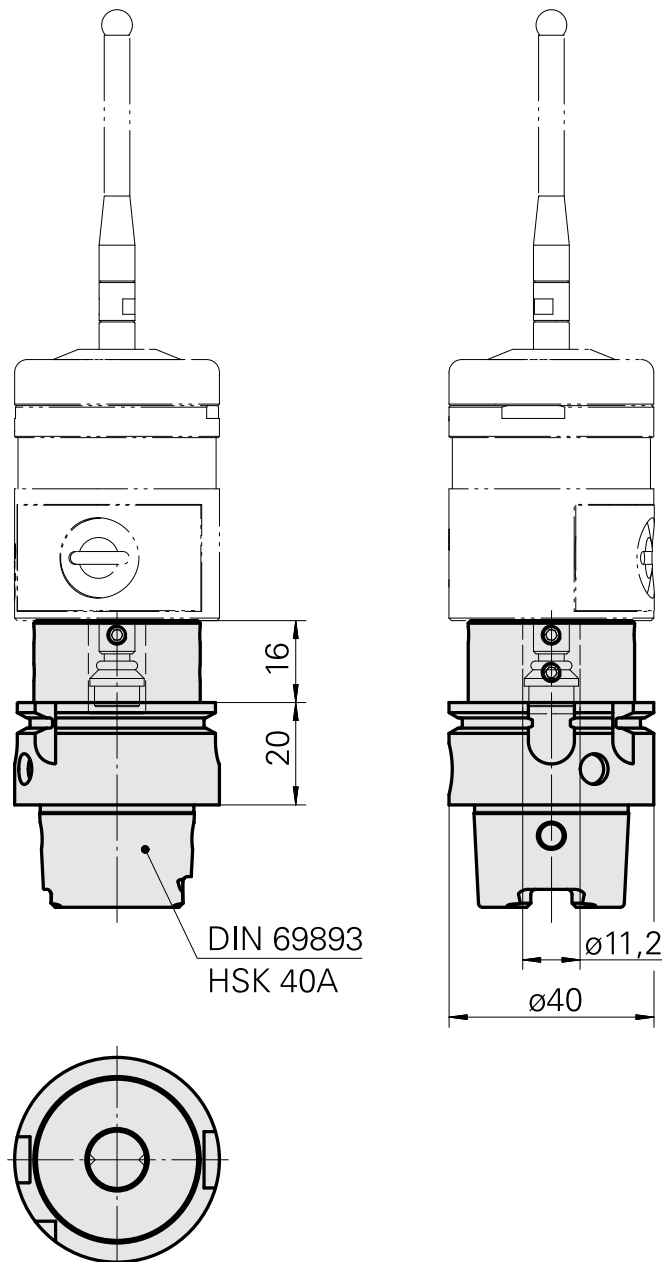
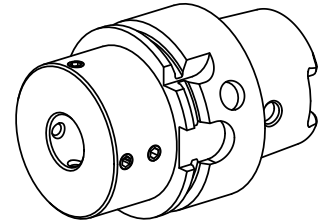


Probe holder HSK 40 A Renishaw D11,2

Technical data

Shank HSK	HSK 40
Form HSK	A
Mounting	Renishaw D11,2
X [mm]	36 (1.42")
Z [mm]	-



Documents

No downloads available for this product

Accessories

Required for operation

Not defined

Product ID : 12133465

Previous product ID :

Push-button insert

Product ID : 12133466

Previous product ID :

Optional accessories

Tool holder accessories

Coolant adapter kit

Product ID : 10581780

Previous product ID : WS7400.0020

TH accessories
category
Cooling lubricant
transfer set

Mounting
HSK 40 A/C

Socket wrench

Product ID : 10532354

Previous product ID : WS7400.0010

TH accessories
category
Tool for KSS adapter

Mounting
HSK 40 A/C

Other accessories

Probe

Product ID : 10338967

Previous product ID : 487542.1441

Case A-2033-7001

Product ID : 10259626

Previous product ID : 487542.0911
