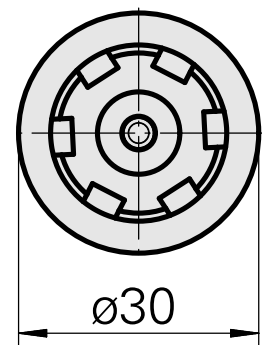
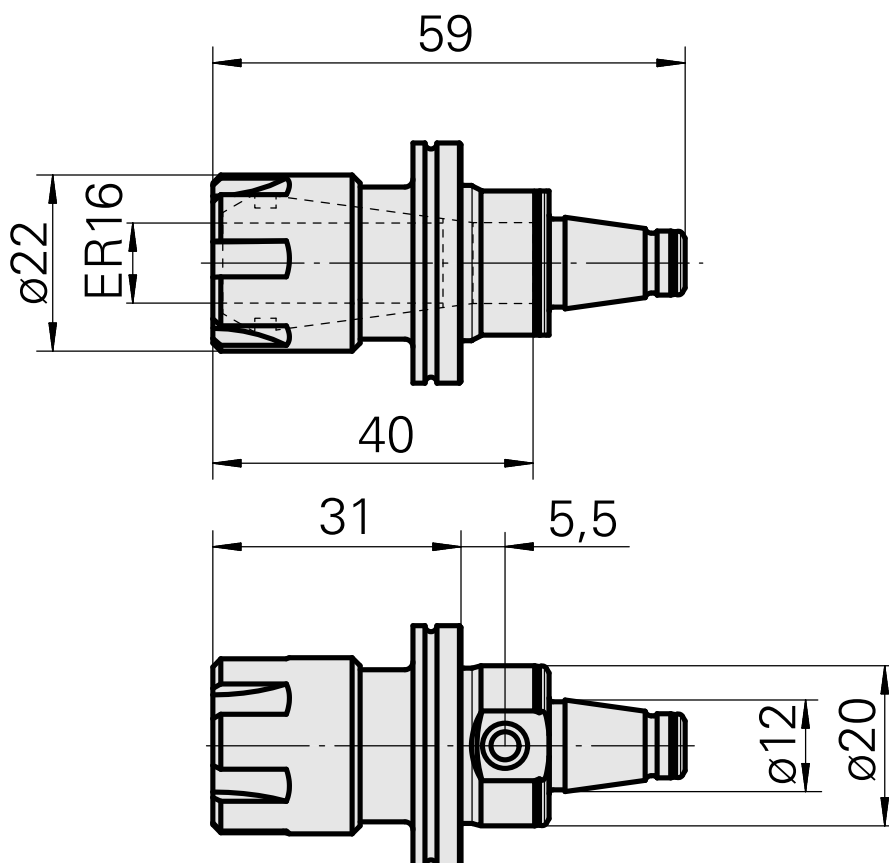
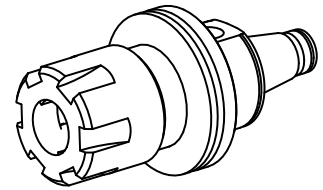


## WFB 20-12 ER16

### Technical data

刀座附件类别	WFB 20-12
夹具	ER16
紧固螺母型号	内螺纹，具有缩小的直径
快换夹头	夹头柄



## Documents

No downloads available for this product

## Accessories

Required for operation

### [Spanner 7111.16000](#)

Product ID : 10621809

Previous product ID : 490219.2161

TH accessories category Tool	Mounting ER16	Collet type ER 16	Clamping nut type Female thread diameter reduced
Tools for Collet chucks Clamping nut wrench			

## Optional accessories

### Tool holder accessories

#### [Clamping nut](#)

Product ID : 10178506

Previous product ID : 901939.6161

TH accessories category Clamping nut	Mounting ER16	Collet type ER 16	Clamping nut type Female thread diameter reduced
---	------------------	----------------------	---

### Other accessories

#### [Clamping collet](#)

Product ID : 10834596

Previous product ID : 901930.1---

#### [Clamping collet](#)

Product ID : 10589709

Previous product ID : W99903--

[tapping tool collet ET-1-16](#)

Product ID : 10542491

Previous product ID : 3230--

---

[tapping tool collet](#)

Product ID : 10865233

Previous product ID : WZ9990.9506F

---

[Collet chuck](#)

Product ID : 10870393

Previous product ID : W999065-

---

[Clamping collet, sealed](#)

Product ID : 10433061

Previous product ID : W999083-

---