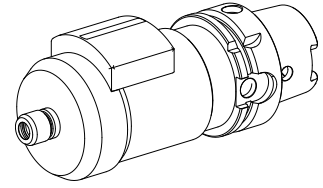


Fluid spindle HSK 63 A ER11, up to 55,000 rpm

Technical data

Shank HSK	HSK 63
Form HSK	A
Mounting	ER11
Pressure	40 bar
X [mm]	141 (5,55")
INDEX TRAUB products	G400 • G220 • G250 • G420 • G520 • G320.2 • G220.3 • G320.3 compact • TNX220.3

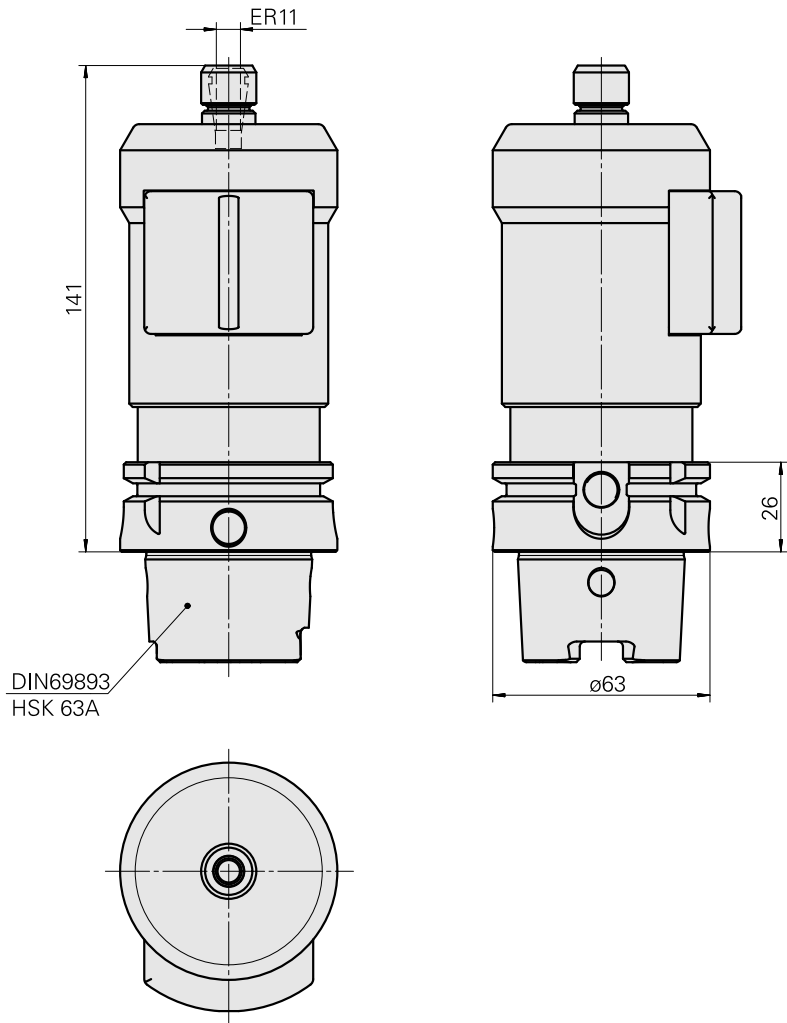


Note

The maximum permitted pressure is 40 bar! The stated speeds are reference values. The actual speed depends on the flow rate and the pressure at the transfer position, and on the type of the cooling lubricant! During machining, the speed must not fall more than 10% below the idle speed.

If this limit is exceeded, the load limit is surpassed, and the fluid spindle must not continue to operate.

Failure to comply may result in short-term spindle failures.



Documents

No downloads available for this product

Accessories

Required for operation

[Socket wrench](#)

Product ID : 10352082

Previous product ID : WS7800.0010

TH accessories
category
Tool for KSS adapter

Mounting
HSK 63 A/C

[CRT screen, Display, external](#)

Product ID : 10926895

Previous product ID : W9991093

TH accessories
category
Accessories for fluid
spindle

Optional accessories

Tool holder accessories

[Cover](#)

Product ID : 12100799

Previous product ID :

TH accessories
category
Accessories for fluid
spindle

[Spanner](#)

Product ID : 12126975

Previous product ID :

TH accessories
category
Accessories for fluid
spindle

[Battery, battery for fluid spindle](#)

Product ID : 10648494

Previous product ID : W9991143

TH accessories
category
Accessories for fluid
spindle

[Clamping nut](#)

Product ID : 10213109

Previous product ID : W9991215

TH accessories category Clamping nut	Mounting ER11	Collet type ER 11	Clamping nut type Internal thread hf spindles
--	------------------	----------------------	---

[Spanner](#)

Product ID : 10985217

Previous product ID : W9991216

TH accessories category Tool	Mounting ER11	Collet type ER 11	Clamping nut type Internal thread hf spindles
------------------------------------	------------------	----------------------	---

Tools for Collet chucks
Clamping nut wrench

[Coolant adapter kit HSK-A63](#)

Product ID : 11074450

Previous product ID : WS7800.0020

TH accessories category Cooling lubricant transfer set	Mounting HSK 63 A/C
---	------------------------

Other accessories

[Clamping collet](#)

Product ID : 10086829

Previous product ID : 901930.0---

[Collet chuck](#)

Product ID : 10132309

Previous product ID : W999064-
