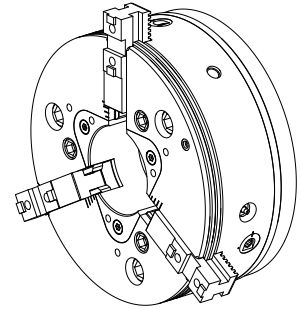


3-jaw chuck

Technical data

INDEX TRAUB 产品	G420 • G400.2 • G300.2 • G320.2
Spindle clearance	102mm
Machining side	Main spindle • Counter spindle
manufacturer product line	ROTA THW PLUS 315-104 A8
Spindle mounting	KK 8
Clamping device size	315
manufacturer product line	Schunk



No 3-side view is currently available for this product

Documents

No downloads available for this product