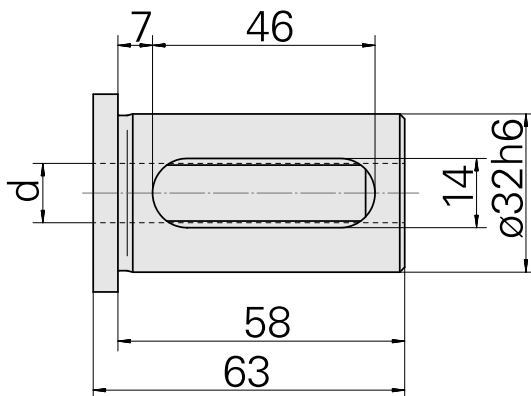
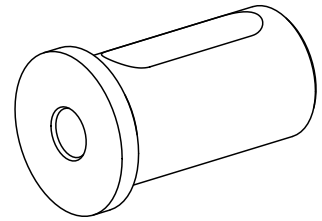


Mounting sleeve with collar D32/ 18mm

Technical data

TH accessories category	Mounting sleeve with collar
Mounting	D32
Tool mounting	18mm



Documents

No downloads available for this product