

3-jaw chuck

Technical data

INDEX TRAUB产品

主轴通孔

加工端

外购生产线

主轴接口

外购生产线

ABC • G200 • ABC.2

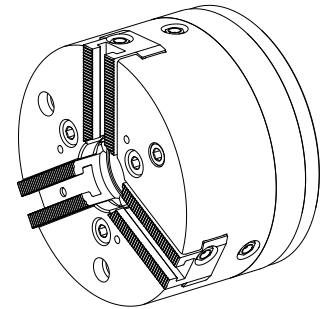
37mm

主主轴 • 副主轴

KFD-HS140-37

KK 5

Roehm



No 3-side view is currently available for this product

Documents

No downloads available for this product

Accessories

Optional accessories

O-Rings

[Gasket ring](#)

Product ID : 10633169

Previous product ID : 479105.6702

manufacturer product line Trelleborg	TSS material no.	Cord size 2.5 Millimeter	manufacturer product line O-ring
---	------------------	-----------------------------	-------------------------------------

[O-RING 50,47X2,62](#)

Product ID : 10753940

Previous product ID : 479103.0502

manufacturer product line Trelleborg	TSS material no.	Cord size 2.62 Millimeter	manufacturer product line O-ring
---	------------------	------------------------------	-------------------------------------

Other accessories

[Mounting jaws Typ 543/538 Id.Nr 046544](#)

Product ID : 11051942

Previous product ID : 908127.8711

[Mounting jaws SWBFR131 SCHUNK,FU D=140](#)

Product ID : 10227939

Previous product ID : 908127.8601

[Adaptor M52x1,5 auf M44x1,5 mm](#)

Product ID : 10900238

Previous product ID : 908127.8141

[Adaptor](#)

Product ID : 10023686
Previous product ID : 908127.8121

[Spacer M52x1,5 auf M69x1,5](#)

Product ID : 11042473
Previous product ID : L31132.

[Bush 20014438 U/ZG.NR. 11714](#)

Product ID : 10548744
Previous product ID : L31221.

[O-RING 71.12X 2.62](#)

Product ID : 10954290
Previous product ID : 479103.0712

[Boring fixture Standard-Umfang bis Ø250mm](#)

Product ID : 10362531
Previous product ID : W9991012

[Boring fixture Premium-Umfang bis Ø250mm](#)

Product ID : 10422192
Previous product ID : W9991013
