

WFB 20-12 D6

Technical data

TH accessories category

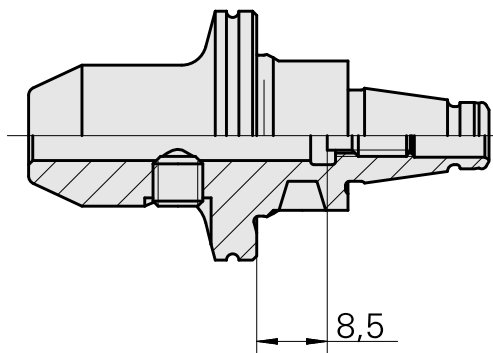
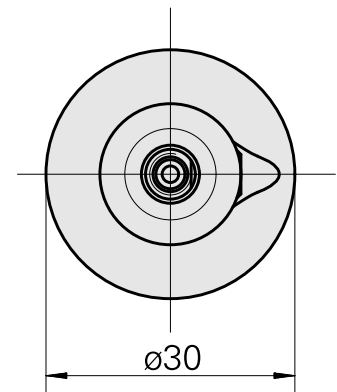
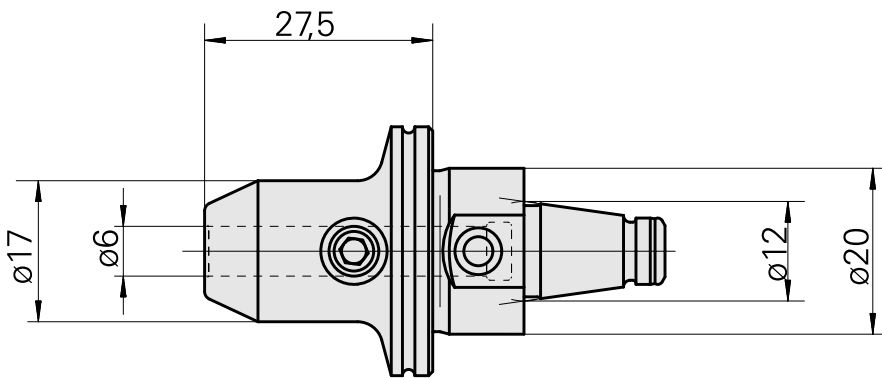
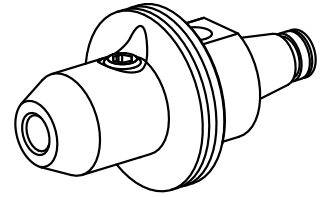
WFB 20-12

Mounting

D6

Quick change inserts

Weldon mounting



Documents

No downloads available for this product

Accessories

Optional accessories

Other accessories

[Adjusting screw M 5x10](#)

Product ID : 10674886

Previous product ID : 326793

[Clamping screw M 6x 6 \(106AWS\)](#)

Product ID : 10565283

Previous product ID : 326789
