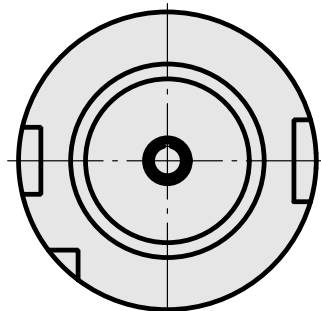
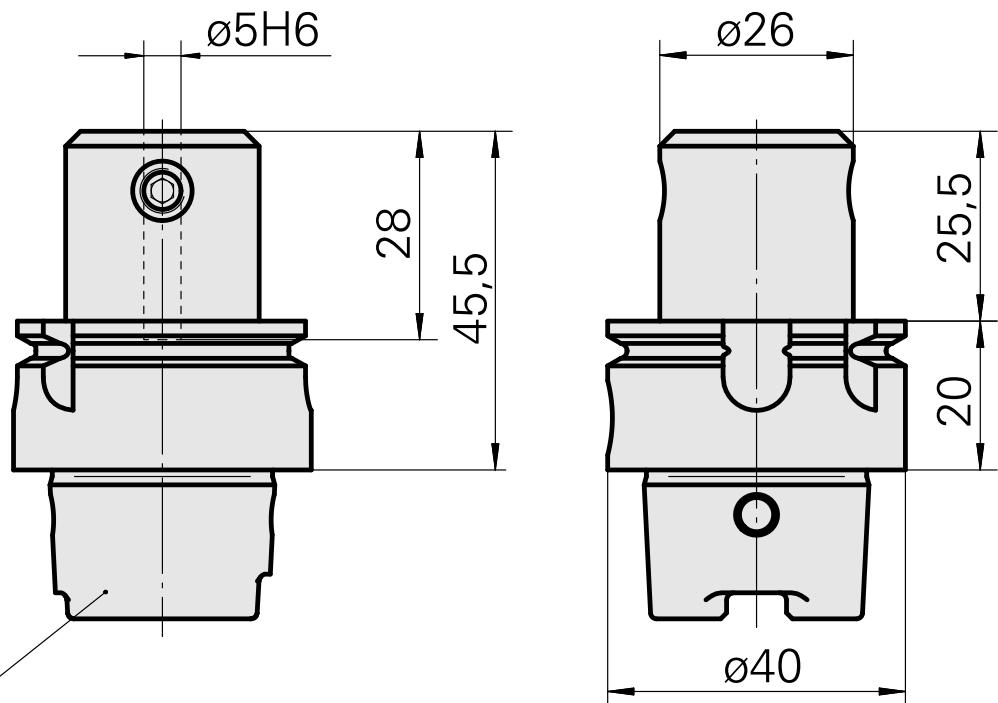


## Drilling tool holder HSK 40 A DIN 1835 B

### Technical data

|                      |   |
|----------------------|---|
| Shank HSK            | HSK 40  |
| Form HSK             | A   |
| Mounting             | DIN 1835 B/E D5   |
| Cooling              | internal  |
| Pressure             | 80 bar  |
| X [mm]               | 45.5 (1.79")  |
| INDEX TRAUB products | G160 • V100 • G200.2 • G220<br>• R200 • TNX65/42 • G220.3 •<br>TNX220.3 |



---

## Documents

No downloads available for this product

## Accessories

Required for operation

### [Socket wrench](#)

Product ID : 10532354

Previous product ID : WS7400.0010

TH accessories  
category  
Tool for KSS adapter

Mounting  
HSK 40 A/C

Optional accessories

### **Tool holder accessories**

### [Coolant adapter kit](#)

Product ID : 10581780

Previous product ID : WS7400.0020

TH accessories  
category  
Cooling lubricant  
transfer set

Mounting  
HSK 40 A/C

### [Coolant supply, max. 120 bar](#)

Product ID : 12024083

Previous product ID :

TH accessories  
category  
Cooling lubricant  
transfer set

Mounting  
HSK 40 A/C