

## WFB 20-12 ER20

### Technical data

TH accessories category

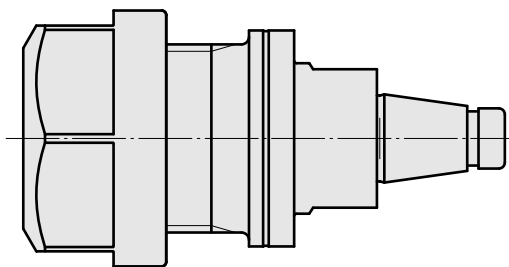
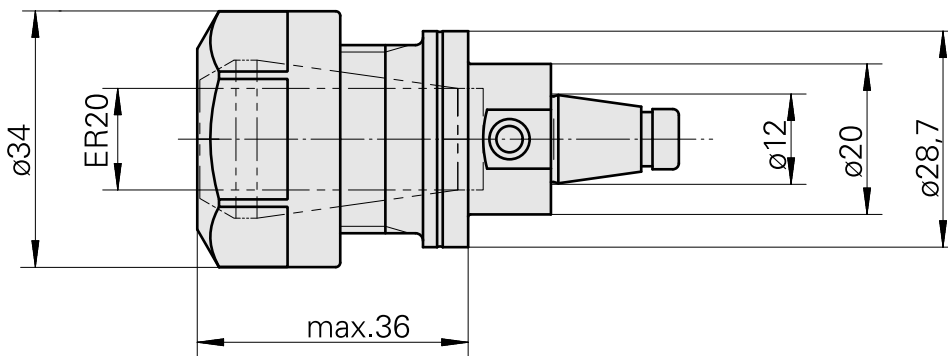
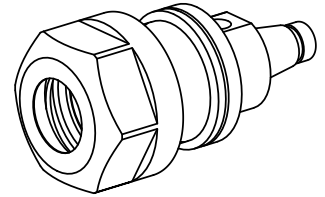
WFB 20-12

Mounting

ER20

Quick change inserts

collet mounting



---

## Documents

No downloads available for this product

## Accessories

Required for operation

### [Spanner](#)

Product ID : 10603529

Previous product ID : 490219.0201

TH accessories category Tool	Mounting ER20	Collet type ER 20	Clamping nut type Female thread
Tools for Collet chucks Clamping nut wrench			

### Optional accessories

#### Tool holder accessories

### [Clamping nut](#)

Product ID : 10137535

Previous product ID : 901939.0201

TH accessories category Clamping nut	Mounting ER20	Collet type ER 20	Clamping nut type Female thread
---	------------------	----------------------	------------------------------------

#### Other accessories

### [Clamping collet](#)

Product ID : 10863981

Previous product ID : 901930.2---

---

### [tapping tool collet ET-1-20](#)

Product ID : 10418139

Previous product ID : 3234--

---

10919780  
W9990479

**INDEX**

---

[Collet chuck](#)

Product ID : 10135002  
Previous product ID : W999066-

---

[Clamping collet, sealed](#)

Product ID : 10919110  
Previous product ID : W999084-

---