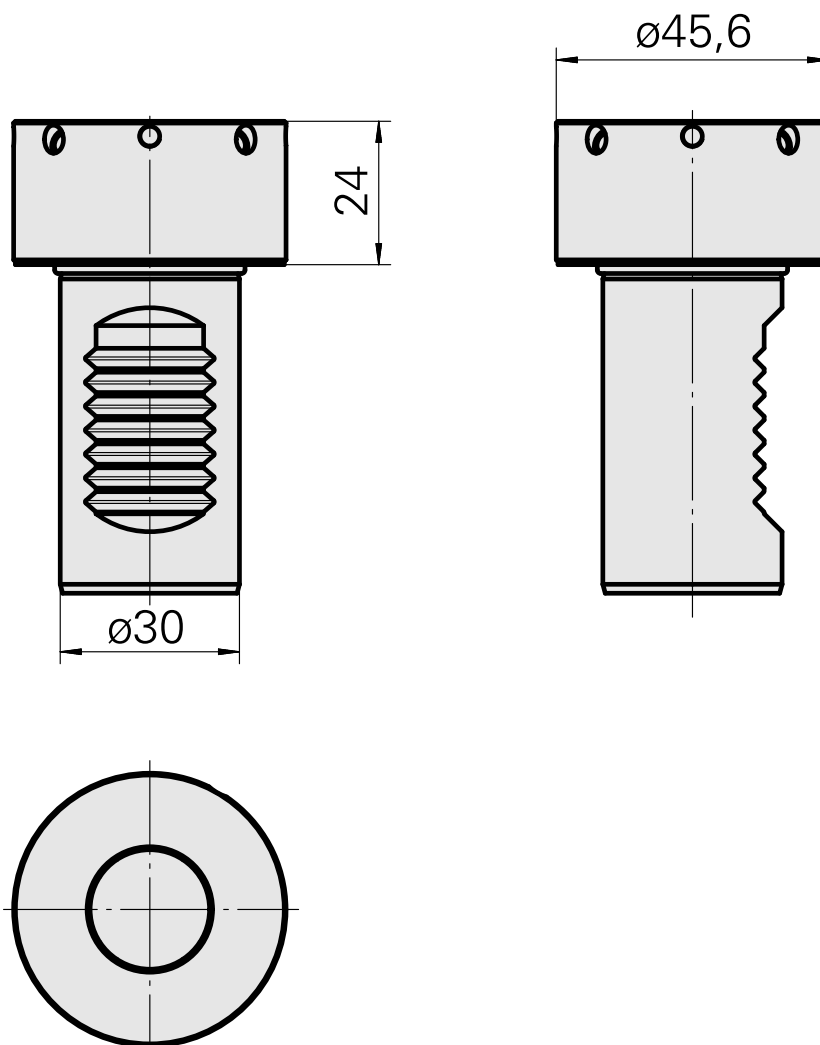
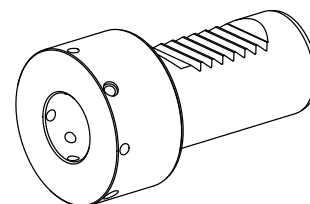


## Probe holder VDI 30 Renishaw D20

### Technical data

Shank VDI	VDI 30
Drive	not live
Fixation VDI	none
Mounting	Renishaw D20
reversible 180°	no
X [mm]	24 (0.94")
Y [mm]	–
Z [mm]	–
INDEX TRAUB products	G250 • G220.3 • TNX220.3 • TNX200.3 • G200.3 • G320.3 compact



## **Documents**

No downloads available for this product