

## WFB 32-20 for Threading insert 3EL-, right, without gripper groove

### Technical data

TH accessories category

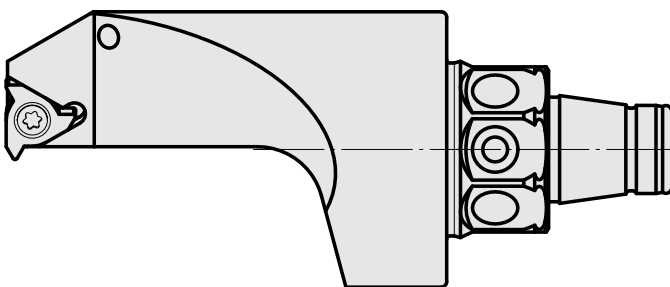
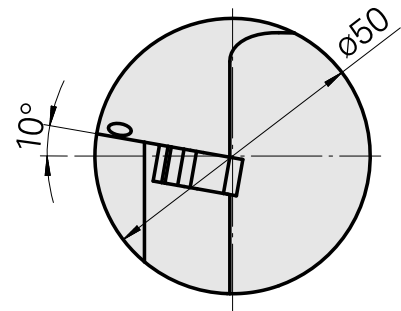
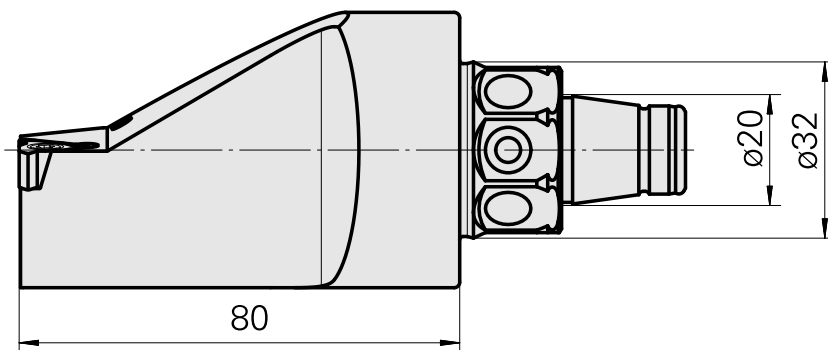
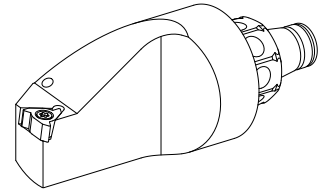
WFB 32-20

Mounting

for Threading insert 3EL-

Quick change inserts

Turning tool holder



## **Documents**

No downloads available for this product