

WFB 32-20 收缩配合刀柄 D14

Technical data

TH accessories category

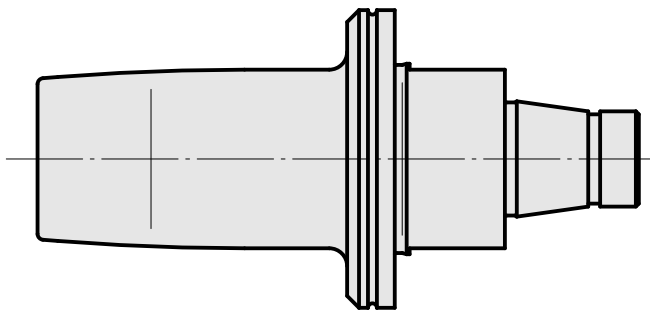
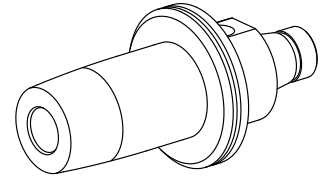
WFB 32-20

Mounting

Shrink-fit mounting D14

Quick change inserts

shrink-fit mounting



10793826
W9990504

INDEX

Documents

No downloads available for this product