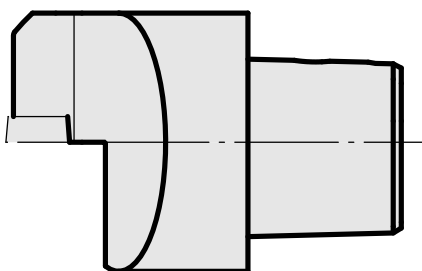
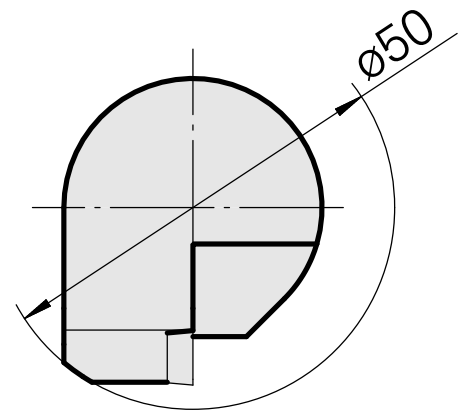
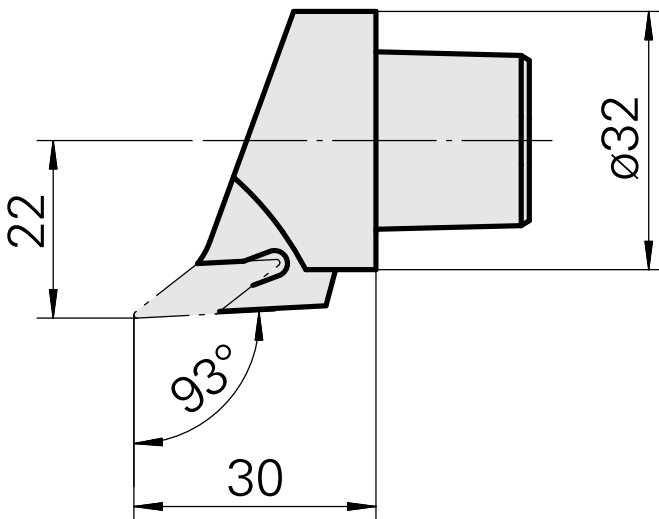
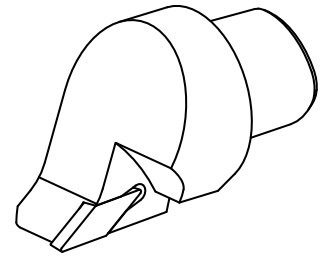


INDEX CAPTO C3 用于VC.. 1103.., 右, 无机械手夹持槽

Technical data

刀座附件类别
夹具
快换夹头

INDEX CAPTO C3
用于VC.. 1103..
用于车刀架



Documents

No downloads available for this product

Accessories

Optional accessories

Other accessories

[clamping screw](#)

Product ID : 12128417

Previous product ID :
