

Spring collet chuck

技术特点

INDEX TRAUB产品

主轴通孔

加工端

外购产品特点

外购生产线

夹具尺寸

外购生产线

C100 • TNK42/65

42mm

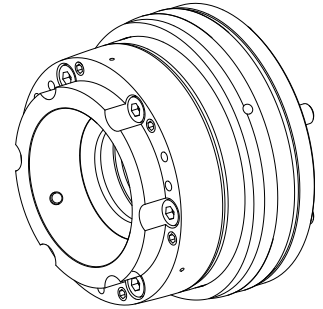
主主轴 • 副主轴

Kombi Axzug

SPANNTOP nova卡盘

SK42

Hainbuch



针对此产品，目前没有3面视图

文件

没有针对此产品的任何下载

附件

可选附件

其他附件

Dispositivo

产品ID : 10056854

以前的产品ID : 900442.8211

manufacturer product line SPANNTOP nova chuck • SPANNTOP mini chuck	Clamping method External clamping	manufacturer product line Hainbuch
---	--------------------------------------	---------------------------------------

Grasso lubrificazione pinza ma

产品ID : 10825733

以前的产品ID : 373241.1021

manufacturer product line SPANNTOP nova chuck • SPANNTOP mini chuck • TOPlus chuck mini • TOPlus chuck with end-stop	Clamping method External clamping	manufacturer product line Hainbuch
--	--------------------------------------	---------------------------------------

Testa di serraggio SK42 SW=12,0mm

产品ID : 10253252

以前的产品ID : 900442.6120

Clamping device size SK42	manufacturer product line SPANNTOP nova chuck	Clamping type Hexagon grooved	Nominal diameter (mm) 12 Millimeter
Clamping method External clamping	manufacturer product line Hainbuch		

Testa di serraggio SK42 SW=14,0mm

产品ID : 10956355
以前的产品ID : 900442.6140

Clamping device size SK42	manufacturer product line SPANNTOP nova chuck	Clamping type Hexagon grooved	Nominal diameter (mm) 14 Millimeter
Clamping method External clamping	manufacturer product line Hainbuch		

Testa di serraggio SK42 SW=15,0mm

产品ID : 10654910
以前的产品ID : 900442.6150

Clamping device size SK42	manufacturer product line SPANNTOP nova chuck	Clamping type Hexagon grooved	Nominal diameter (mm) 15 Millimeter
Clamping method External clamping	manufacturer product line Hainbuch		

Testa di serraggio SK42 SW=20,0mm

产品ID : 10860689
以前的产品ID : 900442.6200

Clamping device size SK42	manufacturer product line SPANNTOP nova chuck	Clamping type Hexagon grooved	Nominal diameter (mm) 20 Millimeter
Clamping method External clamping	manufacturer product line Hainbuch		

Testa di serraggio SK42 D=8,0mm

产品ID : 10104931
以前的产品ID : 900442.3080

Clamping device size SK42	manufacturer product line SPANNTOP nova chuck	Clamping type Soft for custom boring	Nominal diameter (mm) 8 Millimeter
Clamping method External clamping	manufacturer product line Hainbuch		

Testa di serraggio SK42 D=15,0mm

产品ID : 10651407
以前的产品ID : 900442.3150

Clamping device size SK42	manufacturer product line SPANNTOP nova chuck	Clamping type Soft for custom boring	Nominal diameter (mm) 15 Millimeter
Clamping method External clamping	manufacturer product line Hainbuch		

Testa di serraggio SK42 D=30,0mm

产品ID : 10726684
以前的产品ID : 900442.3300

Clamping device size SK42	manufacturer product line SPANNTOP nova chuck	Clamping type Soft for custom boring	Nominal diameter (mm) 30 Millimeter
Clamping method External clamping	manufacturer product line Hainbuch		

Testa di serraggio SK42 D=4,0mm

产品ID : 10494929
以前的产品ID : 900442.2040

Clamping device size SK42	manufacturer product line SPANNTOP nova chuck	Clamping type smooth	Nominal diameter (mm) 4 Millimeter
Clamping method External clamping	manufacturer product line Hainbuch		

Testa di serraggio SK42 D=4,5mm

产品ID : 10796191
以前的产品ID : 900442.2045

Clamping device size SK42	manufacturer product line SPANNTOP nova chuck	Clamping type smooth	Nominal diameter (mm) 4.5 Millimeter
Clamping method External clamping	manufacturer product line Hainbuch		

Testa di serraggio SK42 D=5,0mm

产品ID : 10781871
以前的产品ID : 900442.2050

Clamping device size SK42	manufacturer product line SPANNTOP nova chuck	Clamping type smooth	Nominal diameter (mm) 5 Millimeter
Clamping method External clamping	manufacturer product line Hainbuch		

Testa di serraggio SK42 D=5,5mm

产品ID : 11000901
以前的产品ID : 900442.2055

Clamping device size SK42	manufacturer product line SPANNTOP nova chuck	Clamping type smooth	Nominal diameter (mm) 5.5 Millimeter
Clamping method External clamping	manufacturer product line Hainbuch		

Testa di serraggio SK42 D=6,0mm

产品ID : 10488153
以前的产品ID : 900442.2060

Clamping device size SK42	manufacturer product line SPANNTOP nova chuck	Clamping type smooth	Nominal diameter (mm) 6 Millimeter
Clamping method External clamping	manufacturer product line Hainbuch		

Testa di serraggio SK42 D=6,5mm

产品ID : 10322397
以前的产品ID : 900442.2065

Clamping device size SK42	manufacturer product line SPANNTOP nova chuck	Clamping type smooth	Nominal diameter (mm) 6.5 Millimeter
Clamping method External clamping	manufacturer product line Hainbuch		

Testa di serraggio SK42 D=7,0mm

产品ID : 10393860
以前的产品ID : 900442.2070

Clamping device size SK42	manufacturer product line SPANNTOP nova chuck	Clamping type smooth	Nominal diameter (mm) 7 Millimeter
Clamping method External clamping	manufacturer product line Hainbuch		

Testa di serraggio SK42 D=7,5mm

产品ID : 10296078
以前的产品ID : 900442.2075

Clamping device size SK42	manufacturer product line SPANNTOP nova chuck	Clamping type smooth	Nominal diameter (mm) 7.5 Millimeter
Clamping method External clamping	manufacturer product line Hainbuch		

Testa di serraggio SK42 D=8,0mm

产品ID : 10369119
以前的产品ID : 900442.2080

Clamping device size SK42	manufacturer product line SPANNTOP nova chuck	Clamping type smooth	Nominal diameter (mm) 8 Millimeter
Clamping method External clamping	manufacturer product line Hainbuch		

Testa di serraggio SK42 D=8,5mm

产品ID : 10356904
以前的产品ID : 900442.2085

Clamping device size SK42	manufacturer product line SPANNTOP nova chuck	Clamping type smooth	Nominal diameter (mm) 8.5 Millimeter
Clamping method External clamping	manufacturer product line Hainbuch		

Testa di serraggio SK42 D=9,0mm

产品ID : 10454621
以前的产品ID : 900442.2090

Clamping device size SK42	manufacturer product line SPANNTOP nova chuck	Clamping type smooth	Nominal diameter (mm) 9 Millimeter
Clamping method External clamping	manufacturer product line Hainbuch		

Testa di serraggio SK42 D=9,5mm

产品ID : 10230063
以前的产品ID : 900442.2095

Clamping device size SK42	manufacturer product line SPANNTOP nova chuck	Clamping type smooth	Nominal diameter (mm) 9.5 Millimeter
Clamping method External clamping	manufacturer product line Hainbuch		

Testa di serraggio SK42 D=10,0mm

产品ID : 10230858
以前的产品ID : 900442.2100

Clamping device size SK42	manufacturer product line SPANNTOP nova chuck	Clamping type smooth	Nominal diameter (mm) 10 Millimeter
Clamping method External clamping	manufacturer product line Hainbuch		

Testa di serraggio SK42 D=10,5mm

产品ID : 10745846
以前的产品ID : 900442.2105

Clamping device size SK42	manufacturer product line SPANNTOP nova chuck	Clamping type smooth	Nominal diameter (mm) 10.5 Millimeter
Clamping method External clamping	manufacturer product line Hainbuch		

Testa di serraggio SK42 D=11,0mm

产品ID : 10322253
以前的产品ID : 900442.2110

Clamping device size SK42	manufacturer product line SPANNTOP nova chuck	Clamping type smooth	Nominal diameter (mm) 11 Millimeter
Clamping method External clamping	manufacturer product line Hainbuch		

Testa di serraggio SK42 D=11,5mm

产品ID : 11035648
以前的产品ID : 900442.2115

Clamping device size SK42	manufacturer product line SPANNTOP nova chuck	Clamping type smooth	Nominal diameter (mm) 11.5 Millimeter
Clamping method External clamping	manufacturer product line Hainbuch		

Testa di serraggio SK42 D=12,0mm

产品ID : 10736394
以前的产品ID : 900442.2120

Clamping device size SK42	manufacturer product line SPANNTOP nova chuck	Clamping type smooth	Nominal diameter (mm) 12 Millimeter
Clamping method External clamping	manufacturer product line Hainbuch		

Testa di serraggio SK42 D=12,5mm

产品ID : 10498897
以前的产品ID : 900442.2125

Clamping device size SK42	manufacturer product line SPANNTOP nova chuck	Clamping type smooth	Nominal diameter (mm) 12.5 Millimeter
Clamping method External clamping	manufacturer product line Hainbuch		

Testa di serraggio SK42 D=13,0mm

产品ID : 10408305
以前的产品ID : 900442.2130

Clamping device size SK42	manufacturer product line SPANNTOP nova chuck	Clamping type smooth	Nominal diameter (mm) 13 Millimeter
Clamping method External clamping	manufacturer product line Hainbuch		

Testa di serraggio SK42 D=13,5mm

产品ID : 10076036
以前的产品ID : 900442.2135

Clamping device size SK42	manufacturer product line SPANNTOP nova chuck	Clamping type smooth	Nominal diameter (mm) 13.5 Millimeter
Clamping method External clamping	manufacturer product line Hainbuch		

Testa di serraggio SK42 D=14,0mm

产品ID : 10131582
以前的产品ID : 900442.2140

Clamping device size SK42	manufacturer product line SPANNTOP nova chuck	Clamping type smooth	Nominal diameter (mm) 14 Millimeter
Clamping method External clamping	manufacturer product line Hainbuch		

Testa di serraggio SK42 D=14,5mm

产品ID : 10192317
以前的产品ID : 900442.2145

Clamping device size SK42	manufacturer product line SPANNTOP nova chuck	Clamping type smooth	Nominal diameter (mm) 14.5 Millimeter
Clamping method External clamping	manufacturer product line Hainbuch		

Testa di serraggio SK42 D=15,0mm

产品ID : 10536653
以前的产品ID : 900442.2150

Clamping device size SK42	manufacturer product line SPANNTOP nova chuck	Clamping type smooth	Nominal diameter (mm) 15 Millimeter
Clamping method External clamping	manufacturer product line Hainbuch		

Testa di serraggio SK42 D=15,5mm

产品ID : 10378122
以前的产品ID : 900442.2155

Clamping device size SK42	manufacturer product line SPANNTOP nova chuck	Clamping type smooth	Nominal diameter (mm) 15.5 Millimeter
Clamping method External clamping	manufacturer product line Hainbuch		

Testa di serraggio SK42 D=16,0mm

产品ID : 10571339
以前的产品ID : 900442.2160

Clamping device size SK42	manufacturer product line SPANNTOP nova chuck	Clamping type smooth	Nominal diameter (mm) 16 Millimeter
Clamping method External clamping	manufacturer product line Hainbuch		

Testa di serraggio SK42 D=16,5mm

产品ID : 10233116
以前的产品ID : 900442.2165

Clamping device size SK42	manufacturer product line SPANNTOP nova chuck	Clamping type smooth	Nominal diameter (mm) 16.5 Millimeter
Clamping method External clamping	manufacturer product line Hainbuch		

Testa di serraggio SK42 D=17,0mm

产品ID : 10866883
以前的产品ID : 900442.2170

Clamping device size SK42	manufacturer product line SPANNTOP nova chuck	Clamping type smooth	Nominal diameter (mm) 17 Millimeter
Clamping method External clamping	manufacturer product line Hainbuch		

Testa di serraggio SK42 D=17,5mm

产品ID : 10982914
以前的产品ID : 900442.2175

Clamping device size SK42	manufacturer product line SPANNTOP nova chuck	Clamping type smooth	Nominal diameter (mm) 17.5 Millimeter
Clamping method External clamping	manufacturer product line Hainbuch		

Testa di serraggio SK42 D=18,0mm

产品ID : 10890180
以前的产品ID : 900442.2180

Clamping device size SK42	manufacturer product line SPANNTOP nova chuck	Clamping type smooth	Nominal diameter (mm) 18 Millimeter
Clamping method External clamping	manufacturer product line Hainbuch		

Testa di serraggio SK42 D=18,5mm

产品ID : 10377553
以前的产品ID : 900442.2185

Clamping device size SK42	manufacturer product line SPANNTOP nova chuck	Clamping type smooth	Nominal diameter (mm) 18.5 Millimeter
Clamping method External clamping	manufacturer product line Hainbuch		

Testa di serraggio SK42 D=19,0mm

产品ID : 10572905
以前的产品ID : 900442.2190

Clamping device size SK42	manufacturer product line SPANNTOP nova chuck	Clamping type smooth	Nominal diameter (mm) 19 Millimeter
Clamping method External clamping	manufacturer product line Hainbuch		

Testa di serraggio SK42 D=19,5mm

产品ID : 10795440
以前的产品ID : 900442.2195

Clamping device size SK42	manufacturer product line SPANNTOP nova chuck	Clamping type smooth	Nominal diameter (mm) 19.5 Millimeter
Clamping method External clamping	manufacturer product line Hainbuch		

Testa di serraggio SK42 D=20,0mm

产品ID : 10420365
以前的产品ID : 900442.2200

Clamping device size SK42	manufacturer product line SPANNTOP nova chuck	Clamping type smooth	Nominal diameter (mm) 20 Millimeter
Clamping method External clamping	manufacturer product line Hainbuch		

Testa di serraggio SK42 D=20,5mm

产品ID : 10760363
以前的产品ID : 900442.2205

Clamping device size SK42	manufacturer product line SPANNTOP nova chuck	Clamping type smooth	Nominal diameter (mm) 20.5 Millimeter
Clamping method External clamping	manufacturer product line Hainbuch		

Testa di serraggio SK42 D=21,0mm

产品ID : 10111086
以前的产品ID : 900442.2210

Clamping device size SK42	manufacturer product line SPANNTOP nova chuck	Clamping type smooth	Nominal diameter (mm) 21 Millimeter
Clamping method External clamping	manufacturer product line Hainbuch		

Testa di serraggio SK42 D=21,5mm

产品ID : 10655843
以前的产品ID : 900442.2215

Clamping device size SK42	manufacturer product line SPANNTOP nova chuck	Clamping type smooth	Nominal diameter (mm) 21.5 Millimeter
Clamping method External clamping	manufacturer product line Hainbuch		

Testa di serraggio SK42 D=22,0mm

产品ID : 11031353
以前的产品ID : 900442.2220

Clamping device size SK42	manufacturer product line SPANNTOP nova chuck	Clamping type smooth	Nominal diameter (mm) 22 Millimeter
Clamping method External clamping	manufacturer product line Hainbuch		

Testa di serraggio SK42 D=22,5mm

产品ID : 10709151
以前的产品ID : 900442.2225

Clamping device size SK42	manufacturer product line SPANNTOP nova chuck	Clamping type smooth	Nominal diameter (mm) 22.5 Millimeter
Clamping method External clamping	manufacturer product line Hainbuch		

Testa di serraggio SK42 D=23,0mm

产品ID : 10250684
以前的产品ID : 900442.2230

Clamping device size SK42	manufacturer product line SPANNTOP nova chuck	Clamping type smooth	Nominal diameter (mm) 23 Millimeter
Clamping method External clamping	manufacturer product line Hainbuch		

Testa di serraggio SK42 D=23,5mm

产品ID : 10070177
以前的产品ID : 900442.2235

Clamping device size SK42	manufacturer product line SPANNTOP nova chuck	Clamping type smooth	Nominal diameter (mm) 23.5 Millimeter
Clamping method External clamping	manufacturer product line Hainbuch		

Testa di serraggio SK42 D=24,0mm

产品ID : 10485798
以前的产品ID : 900442.2240

Clamping device size SK42	manufacturer product line SPANNTOP nova chuck	Clamping type smooth	Nominal diameter (mm) 24 Millimeter
Clamping method External clamping	manufacturer product line Hainbuch		

Testa di serraggio SK42 D=24,5mm

产品ID : 10932475
以前的产品ID : 900442.2245

Clamping device size SK42	manufacturer product line SPANNTOP nova chuck	Clamping type smooth	Nominal diameter (mm) 24.5 Millimeter
Clamping method External clamping	manufacturer product line Hainbuch		

Testa di serraggio SK42 D=25,0mm

产品ID : 10372554
以前的产品ID : 900442.2250

Clamping device size SK42	manufacturer product line SPANNTOP nova chuck	Clamping type smooth	Nominal diameter (mm) 25 Millimeter
Clamping method External clamping	manufacturer product line Hainbuch		

Testa di serraggio SK42 D=25,5mm

产品ID : 10019804
以前的产品ID : 900442.2255

Clamping device size SK42	manufacturer product line SPANNTOP nova chuck	Clamping type smooth	Nominal diameter (mm) 25.5 Millimeter
Clamping method External clamping	manufacturer product line Hainbuch		

Testa di serraggio SK42 D=26,0mm

产品ID : 10109755
以前的产品ID : 900442.2260

Clamping device size SK42	manufacturer product line SPANNTOP nova chuck	Clamping type smooth	Nominal diameter (mm) 26 Millimeter
Clamping method External clamping	manufacturer product line Hainbuch		

Testa di serraggio SK42 D=26,5mm

产品ID : 10949113
以前的产品ID : 900442.2265

Clamping device size SK42	manufacturer product line SPANNTOP nova chuck	Clamping type smooth	Nominal diameter (mm) 26.5 Millimeter
Clamping method External clamping	manufacturer product line Hainbuch		

Testa di serraggio SK42 D=27,0mm

产品ID : 10953062
以前的产品ID : 900442.2270

Clamping device size SK42	manufacturer product line SPANNTOP nova chuck	Clamping type smooth	Nominal diameter (mm) 27 Millimeter
Clamping method External clamping	manufacturer product line Hainbuch		

Testa di serraggio SK42 D=27,5mm

产品ID : 10570512
以前的产品ID : 900442.2275

Clamping device size SK42	manufacturer product line SPANNTOP nova chuck	Clamping type smooth	Nominal diameter (mm) 27.5 Millimeter
Clamping method External clamping	manufacturer product line Hainbuch		

Testa di serraggio SK42 D=28,0mm

产品ID : 10480401
以前的产品ID : 900442.2280

Clamping device size SK42	manufacturer product line SPANNTOP nova chuck	Clamping type smooth	Nominal diameter (mm) 28 Millimeter
Clamping method External clamping	manufacturer product line Hainbuch		

Testa di serraggio SK42 D=28,5mm

产品ID : 10948921
以前的产品ID : 900442.2285

夹具尺寸 SK42	外购生产线 SPANNTOP nova卡盘	夹紧型式 平滑	名义直径 (mm) 28.5 Millimeter
夹紧方法 外部夹紧	外购生产线 Hainbuch		

Testa di serraggio SK42 D=29,0mm

产品ID：10862117
以前的产品ID：900442.2290

夹具尺寸 SK42	外购生产线 SPANNTOP nova卡盘	夹紧型式 平滑	名义直径 (mm) 29 Millimeter
夹紧方法 外部夹紧	外购生产线 Hainbuch		

Testa di serraggio SK42 D=29,5mm

产品ID：10821012
以前的产品ID：900442.2295

夹具尺寸 SK42	外购生产线 SPANNTOP nova卡盘	夹紧型式 平滑	名义直径 (mm) 29.5 Millimeter
夹紧方法 外部夹紧	外购生产线 Hainbuch		

Testa di serraggio SK42 D=30,0mm

产品ID：10375567
以前的产品ID：900442.2300

夹具尺寸 SK42	外购生产线 SPANNTOP nova卡盘	夹紧型式 平滑	名义直径 (mm) 30 Millimeter
夹紧方法 外部夹紧	外购生产线 Hainbuch		

Testa di serraggio SK42 D=30,5mm

产品ID：10440711
以前的产品ID：900442.2305

夹具尺寸 SK42	外购生产线 SPANNTOP nova卡盘	夹紧型式 平滑	名义直径 (mm) 30.5 Millimeter
夹紧方法 外部夹紧	外购生产线 Hainbuch		

Testa di serraggio SK42 D=31,0mm

产品ID：10960636
以前的产品ID：900442.2310

夹具尺寸 SK42	外购生产线 SPANNTOP nova卡盘	夹紧型式 平滑	名义直径 (mm) 31 Millimeter
夹紧方法 外部夹紧	外购生产线 Hainbuch		

Testa di serraggio SK42 D=31,5mm

产品ID：11066158
以前的产品ID：900442.2315

夹具尺寸 SK42	外购生产线 SPANNTOP nova卡盘	夹紧型式 平滑	名义直径 (mm) 31.5 Millimeter
夹紧方法 外部夹紧	外购生产线 Hainbuch		

Testa di serraggio SK42 D=32,0mm

产品ID：11029011
以前的产品ID：900442.2320

夹具尺寸 SK42	外购生产线 SPANNTOP nova卡盘	夹紧型式 平滑	名义直径 (mm) 32 Millimeter
夹紧方法 外部夹紧	外购生产线 Hainbuch		

Testa di serraggio SK42 D=32,5mm

产品ID：10570825
以前的产品ID：900442.2325

夹具尺寸 SK42	外购生产线 SPANNTOP nova卡盘	夹紧型式 平滑	名义直径 (mm) 32.5 Millimeter
夹紧方法 外部夹紧	外购生产线 Hainbuch		

Testa di serraggio SK42 D=33,0mm

产品ID：10906540
以前的产品ID：900442.2330

夹具尺寸 SK42	外购生产线 SPANNTOP nova卡盘	夹紧型式 平滑	名义直径 (mm) 33 Millimeter
夹紧方法 外部夹紧	外购生产线 Hainbuch		

Testa di serraggio SK42 D=33,5mm

产品ID：10301000
以前的产品ID：900442.2335

夹具尺寸 SK42	外购生产线 SPANNTOP nova卡盘	夹紧型式 平滑	名义直径 (mm) 33.5 Millimeter
夹紧方法 外部夹紧	外购生产线 Hainbuch		

Testa di serraggio SK42 D=34,0mm

产品ID：10701239
以前的产品ID：900442.2340

夹具尺寸 SK42	外购生产线 SPANNTOP nova卡盘	夹紧型式 平滑	名义直径 (mm) 34 Millimeter
夹紧方法 外部夹紧	外购生产线 Hainbuch		

Testa di serraggio SK42 D=34,5mm

产品ID：10966823
以前的产品ID：900442.2345

夹具尺寸 SK42	外购生产线 SPANNTOP nova卡盘	夹紧型式 平滑	名义直径 (mm) 34.5 Millimeter
夹紧方法 外部夹紧	外购生产线 Hainbuch		

Testa di serraggio SK42 D=35,0mm

产品ID：10013826
以前的产品ID：900442.2350

夹具尺寸 SK42	外购生产线 SPANNTOP nova卡盘	夹紧型式 平滑	名义直径 (mm) 35 Millimeter
夹紧方法 外部夹紧	外购生产线 Hainbuch		

Testa di serraggio SK42 D=35,5mm

产品ID：10790633
以前的产品ID：900442.2355

夹具尺寸 SK42	外购生产线 SPANNTOP nova卡盘	夹紧型式 平滑	名义直径 (mm) 35.5 Millimeter
夹紧方法 外部夹紧	外购生产线 Hainbuch		

Testa di serraggio SK42 D=36,0mm

产品ID：10039790
以前的产品ID：900442.2360

夹具尺寸 SK42	外购生产线 SPANNTOP nova卡盘	夹紧型式 平滑	名义直径 (mm) 36 Millimeter
夹紧方法 外部夹紧	外购生产线 Hainbuch		

Testa di serraggio SK42 D=36,5mm

产品ID：10566161
以前的产品ID：900442.2365

夹具尺寸 SK42	外购生产线 SPANNTOP nova卡盘	夹紧型式 平滑	名义直径 (mm) 36.5 Millimeter
夹紧方法 外部夹紧	外购生产线 Hainbuch		

Testa di serraggio SK42 D=37,0mm

产品ID：10885831
以前的产品ID：900442.2370

夹具尺寸 SK42	外购生产线 SPANNTOP nova卡盘	夹紧型式 平滑	名义直径 (mm) 37 Millimeter
夹紧方法 外部夹紧	外购生产线 Hainbuch		

Testa di serraggio SK42 D=37,5mm

产品ID：10184814
以前的产品ID：900442.2375

夹具尺寸 SK42	外购生产线 SPANNTOP nova卡盘	夹紧型式 平滑	名义直径 (mm) 37.5 Millimeter
夹紧方法 外部夹紧	外购生产线 Hainbuch		

Testa di serraggio SK42 D=38,0mm

产品ID：10376236
以前的产品ID：900442.2380

夹具尺寸 SK42	外购生产线 SPANNTOP nova卡盘	夹紧型式 平滑	名义直径 (mm) 38 Millimeter
夹紧方法 外部夹紧	外购生产线 Hainbuch		

Testa di serraggio SK42 D=39,0mm

产品ID：10028555
以前的产品ID：900442.2390

夹具尺寸 SK42	外购生产线 SPANNTOP nova卡盘	夹紧型式 平滑	名义直径 (mm) 39 Millimeter
夹紧方法 外部夹紧	外购生产线 Hainbuch		

Testa di serraggio SK42 D=39,5mm

产品ID：10144098
以前的产品ID：900442.2395

夹具尺寸 SK42	外购生产线 SPANNTOP nova卡盘	夹紧型式 平滑	名义直径 (mm) 39.5 Millimeter
夹紧方法 外部夹紧	外购生产线 Hainbuch		

Testa di serraggio SK42 D=40,0mm

产品ID：10353788
以前的产品ID：900442.2400

夹具尺寸 SK42	外购生产线 SPANNTOP nova卡盘	夹紧型式 平滑	名义直径 (mm) 40 Millimeter
夹紧方法 外部夹紧	外购生产线 Hainbuch		

Testa di serraggio SK42 D=40,5mm

产品ID：10782188
以前的产品ID：900442.2405

夹具尺寸 SK42	外购生产线 SPANNTOP nova卡盘	夹紧型式 平滑	名义直径 (mm) 40.5 Millimeter
夹紧方法 外部夹紧	外购生产线 Hainbuch		

Testa di serraggio SK42 D=41,0mm

产品ID：10095931
以前的产品ID：900442.2410

夹具尺寸 SK42	外购生产线 SPANNTOP nova卡盘	夹紧型式 平滑	名义直径 (mm) 41 Millimeter
夹紧方法 外部夹紧	外购生产线 Hainbuch		

Testa di serraggio SK42 D=41,5mm

产品ID：10241699
以前的产品ID：900442.2415

夹具尺寸 SK42	外购生产线 SPANNTOP nova卡盘	夹紧型式 平滑	名义直径 (mm) 41.5 Millimeter
夹紧方法 外部夹紧	外购生产线 Hainbuch		

Testa di serraggio SK42 D=42,0mm

产品ID：10064622
以前的产品ID：900442.2420

夹具尺寸 SK42	外购生产线 SPANNTOP nova卡盘	夹紧型式 平滑	名义直径 (mm) 42 Millimeter
夹紧方法 外部夹紧	外购生产线 Hainbuch		

Testa di serraggio SK42 quadro=20,0mm

产品ID：10455885
以前的产品ID：900442.4200

夹具尺寸 SK42	外购生产线 SPANNTOP nova卡盘	夹紧型式 四边形 开槽	名义直径 (mm) 20 Millimeter
夹紧方法 外部夹紧	外购生产线 Hainbuch		

Clamping head

产品ID：10543216
以前的产品ID：900463.4242

夹具尺寸 SK42	外购生产线 SPANNTOP nova卡盘	夹紧型式 开槽	名义直径 (mm) 42 Millimeter
夹紧方法 外部夹紧	外购生产线 Hainbuch		

Dispositivo

产品ID：11040206
以前的产品ID：900442.8202

夹具尺寸 SK52 • SK42	外购生产线 SPANNTOP nova卡盘 • TOPlus卡盘	夹紧方法 外部夹紧	外购生产线 Hainbuch
---------------------	--	--------------	-------------------

Clamping head

产品ID：10715059
以前的产品ID：900463.4204

夹具尺寸 SK42	外购生产线 SPANNTOP nova卡盘	夹紧型式 开槽	名义直径 (mm) 4 Millimeter
夹紧方法 外部夹紧	外购生产线 Hainbuch		

Clamping head

产品ID：10032466
以前的产品ID：900463.4205

夹具尺寸 SK42	外购生产线 SPANNTOP nova卡盘	夹紧型式 开槽	名义直径 (mm) 5 Millimeter
夹紧方法 外部夹紧	外购生产线 Hainbuch		

Clamping head

产品ID：10264171
以前的产品ID：900463.4207

夹具尺寸 SK42	外购生产线 SPANNTOP nova卡盘	夹紧型式 开槽	名义直径 (mm) 7 Millimeter
夹紧方法 外部夹紧	外购生产线 Hainbuch		

Clamping head

产品ID：10220135
以前的产品ID：900463.4208

夹具尺寸 SK42	外购生产线 SPANNTOP nova卡盘	夹紧型式 开槽	名义直径 (mm) 8 Millimeter
夹紧方法 外部夹紧	外购生产线 Hainbuch		

Clamping head

产品ID：10712846
以前的产品ID：900463.4209

夹具尺寸 SK42	外购生产线 SPANNTOP nova卡盘	夹紧型式 开槽	名义直径 (mm) 9 Millimeter
夹紧方法 外部夹紧	外购生产线 Hainbuch		

Clamping head

产品ID：10346669
以前的产品ID：900463.4210

夹具尺寸 SK42	外购生产线 SPANNTOP nova卡盘	夹紧型式 开槽	名义直径 (mm) 10 Millimeter
夹紧方法 外部夹紧	外购生产线 Hainbuch		

Clamping head

产品ID：10501633
以前的产品ID：900463.4211

夹具尺寸 SK42	外购生产线 SPANNTOP nova卡盘	夹紧型式 开槽	名义直径 (mm) 11 Millimeter
夹紧方法 外部夹紧	外购生产线 Hainbuch		

Clamping head

产品ID：10687981
以前的产品ID：900463.4212

夹具尺寸 SK42	外购生产线 SPANNTOP nova卡盘	夹紧型式 开槽	名义直径 (mm) 12 Millimeter
夹紧方法 外部夹紧	外购生产线 Hainbuch		

Clamping head

产品ID：10552326
以前的产品ID：900463.4213

夹具尺寸 SK42	外购生产线 SPANNTOP nova卡盘	夹紧型式 开槽	名义直径 (mm) 13 Millimeter
夹紧方法 外部夹紧	外购生产线 Hainbuch		

Clamping head

产品ID：10440645
以前的产品ID：900463.4214

夹具尺寸 SK42	外购生产线 SPANNTOP nova卡盘	夹紧型式 开槽	名义直径 (mm) 14 Millimeter
夹紧方法 外部夹紧	外购生产线 Hainbuch		

Clamping head

产品ID：10166844
以前的产品ID：900463.4215

夹具尺寸 SK42	外购生产线 SPANNTOP nova卡盘	夹紧型式 开槽	名义直径 (mm) 15 Millimeter
夹紧方法 外部夹紧	外购生产线 Hainbuch		

Clamping head

产品ID：11073118
以前的产品ID：900463.4216

夹具尺寸 SK42	外购生产线 SPANNTOP nova卡盘	夹紧型式 开槽	名义直径 (mm) 16 Millimeter
夹紧方法 外部夹紧	外购生产线 Hainbuch		

Clamping head

产品ID：10686366
以前的产品ID：900463.4217

夹具尺寸 SK42	外购生产线 SPANNTOP nova卡盘	夹紧型式 开槽	名义直径 (mm) 17 Millimeter
夹紧方法 外部夹紧	外购生产线 Hainbuch		

Clamping head

产品ID：10409915
以前的产品ID：900463.4218

夹具尺寸 SK42	外购生产线 SPANNTOP nova卡盘	夹紧型式 开槽	名义直径 (mm) 18 Millimeter
夹紧方法 外部夹紧	外购生产线 Hainbuch		

Clamping head

产品ID：11056432
以前的产品ID：900463.4219

夹具尺寸 SK42	外购生产线 SPANNTOP nova卡盘	夹紧型式 开槽	名义直径 (mm) 19 Millimeter
夹紧方法 外部夹紧	外购生产线 Hainbuch		

Clamping head

产品ID：10422880
以前的产品ID：900463.4220

夹具尺寸 SK42	外购生产线 SPANNTOP nova卡盘	夹紧型式 开槽	名义直径 (mm) 20 Millimeter
夹紧方法 外部夹紧	外购生产线 Hainbuch		

Clamping head

产品ID：10451991
以前的产品ID：900463.4221

夹具尺寸 SK42	外购生产线 SPANNTOP nova卡盘	夹紧型式 开槽	名义直径 (mm) 21 Millimeter
夹紧方法 外部夹紧	外购生产线 Hainbuch		

Clamping head

产品ID：10382579
以前的产品ID：900463.4222

夹具尺寸 SK42	外购生产线 SPANNTOP nova卡盘	夹紧型式 开槽	名义直径 (mm) 22 Millimeter
夹紧方法 外部夹紧	外购生产线 Hainbuch		

Clamping head

产品ID：10431117
以前的产品ID：900463.4223

夹具尺寸 SK42	外购生产线 SPANNTOP nova卡盘	夹紧型式 开槽	名义直径 (mm) 23 Millimeter
夹紧方法 外部夹紧	外购生产线 Hainbuch		

Clamping head

产品ID：10853339
以前的产品ID：900463.4224

夹具尺寸 SK42	外购生产线 SPANNTOP nova卡盘	夹紧型式 开槽	名义直径 (mm) 24 Millimeter
夹紧方法 外部夹紧	外购生产线 Hainbuch		

Clamping head

产品ID：11002448
以前的产品ID：900463.4225

夹具尺寸 SK42	外购生产线 SPANNTOP nova卡盘	夹紧型式 开槽	名义直径 (mm) 25 Millimeter
夹紧方法 外部夹紧	外购生产线 Hainbuch		

Clamping head

产品ID：10826373
以前的产品ID：900463.4226

夹具尺寸 SK42	外购生产线 SPANNTOP nova卡盘	夹紧型式 开槽	名义直径 (mm) 26 Millimeter
夹紧方法 外部夹紧	外购生产线 Hainbuch		

Clamping head

产品ID：10147870
以前的产品ID：900463.4227

夹具尺寸 SK42	外购生产线 SPANNTOP nova卡盘	夹紧型式 开槽	名义直径 (mm) 27 Millimeter
夹紧方法 外部夹紧	外购生产线 Hainbuch		

Clamping head

产品ID：11027726
以前的产品ID：900463.4228

夹具尺寸 SK42	外购生产线 SPANNTOP nova卡盘	夹紧型式 开槽	名义直径 (mm) 28 Millimeter
夹紧方法 外部夹紧	外购生产线 Hainbuch		

Clamping head

产品ID：10472777
以前的产品ID：900463.4229

夹具尺寸 SK42	外购生产线 SPANNTOP nova卡盘	夹紧型式 开槽	名义直径 (mm) 29 Millimeter
夹紧方法 外部夹紧	外购生产线 Hainbuch		

Clamping head

产品ID：10718531
以前的产品ID：900463.4230

夹具尺寸 SK42	外购生产线 SPANNTOP nova卡盘	夹紧型式 开槽	名义直径 (mm) 30 Millimeter
夹紧方法 外部夹紧	外购生产线 Hainbuch		

Clamping head

产品ID：10080802
以前的产品ID：900463.4231

夹具尺寸 SK42	外购生产线 SPANNTOP nova卡盘	夹紧型式 开槽	名义直径 (mm) 31 Millimeter
夹紧方法 外部夹紧	外购生产线 Hainbuch		

Clamping head

产品ID：10293683
以前的产品ID：900463.4232

夹具尺寸 SK42	外购生产线 SPANNTOP nova卡盘	夹紧型式 开槽	名义直径 (mm) 32 Millimeter
夹紧方法 外部夹紧	外购生产线 Hainbuch		

Clamping head

产品ID：10448577
以前的产品ID：900463.4233

夹具尺寸 SK42	外购生产线 SPANNTOP nova卡盘	夹紧型式 开槽	名义直径 (mm) 33 Millimeter
夹紧方法 外部夹紧	外购生产线 Hainbuch		

Clamping head

产品ID：10748218
以前的产品ID：900463.4234

夹具尺寸 SK42	外购生产线 SPANNTOP nova卡盘	夹紧型式 开槽	名义直径 (mm) 34 Millimeter
夹紧方法 外部夹紧	外购生产线 Hainbuch		

Clamping head

产品ID：10587182
以前的产品ID：900463.4235

夹具尺寸 SK42	外购生产线 SPANNTOP nova卡盘	夹紧型式 开槽	名义直径 (mm) 35 Millimeter
夹紧方法 外部夹紧	外购生产线 Hainbuch		

Clamping head

产品ID：10124721
以前的产品ID：900463.4236

夹具尺寸 SK42	外购生产线 SPANNTOP nova卡盘	夹紧型式 开槽	名义直径 (mm) 36 Millimeter
夹紧方法 外部夹紧	外购生产线 Hainbuch		

Clamping head

产品ID：10157007
以前的产品ID：900463.4237

夹具尺寸 SK42	外购生产线 SPANNTOP nova卡盘	夹紧型式 开槽	名义直径 (mm) 37 Millimeter
夹紧方法 外部夹紧	外购生产线 Hainbuch		

Clamping head

产品ID：11035530
以前的产品ID：900463.4238

夹具尺寸 SK42	外购生产线 SPANNTOP nova卡盘	夹紧型式 开槽	名义直径 (mm) 38 Millimeter
夹紧方法 外部夹紧	外购生产线 Hainbuch		

Clamping head

产品ID：11035082
以前的产品ID：900463.4239

夹具尺寸 SK42	外购生产线 SPANNTOP nova卡盘	夹紧型式 开槽	名义直径 (mm) 39 Millimeter
夹紧方法 外部夹紧	外购生产线 Hainbuch		

Clamping head

产品ID：10310477

以前的产品ID：900463.4240

夹具尺寸 SK42	外购生产线 SPANNTOP nova卡盘	夹紧型式 开槽	名义直径 (mm) 40 Millimeter
夹紧方法 外部夹紧	外购生产线 Hainbuch		

Clamping head

产品ID：10536795

以前的产品ID：900463.4241

夹具尺寸 SK42	外购生产线 SPANNTOP nova卡盘	夹紧型式 开槽	名义直径 (mm) 41 Millimeter
夹紧方法 外部夹紧	外购生产线 Hainbuch		