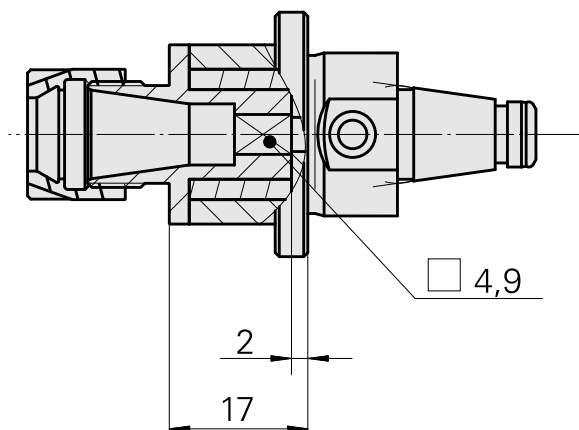
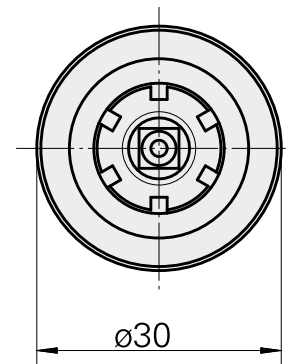
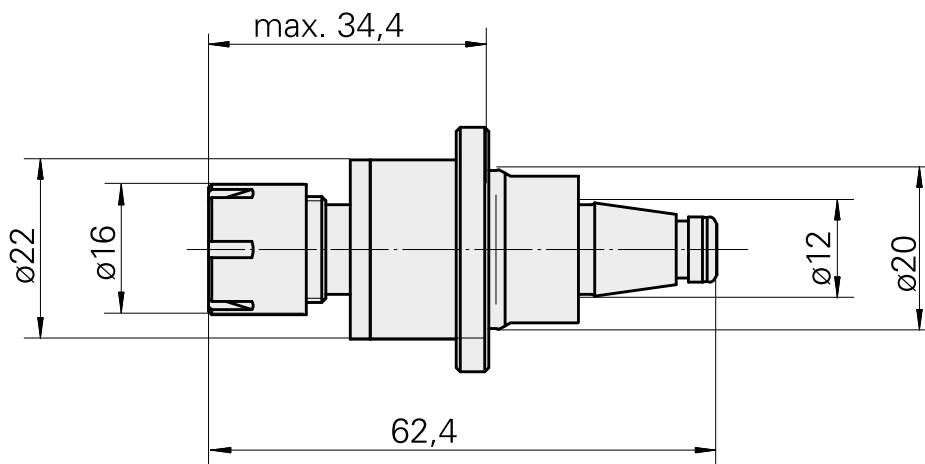
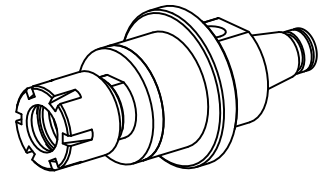


WFB 20-12 ER11

Technical data

TH accessories category	WFB 20-12
Mounting	ER11
Quick change inserts	taping chuck



Documents

No downloads available for this product

Accessories

Required for operation

[Spanner](#)

Product ID : 10401928

Previous product ID : 326792

TH accessories category Tool	Mounting ER11	Collet type ER 11	Clamping nut type Female thread diameter reduced
Tools for Collet chucks Clamping nut wrench			

Optional accessories

Tool holder accessories

[Clamping nut](#)

Product ID : 10212188

Previous product ID : 326681

TH accessories category Clamping nut	Mounting ER11	Collet type ER 11	Clamping nut type Female thread diameter reduced
---	------------------	----------------------	---

Other accessories

[tapping tool collet ER11GB](#)

Product ID : 10285407

Previous product ID : 900288
