

WFB 20-12 D20

Technical data

TH accessories category

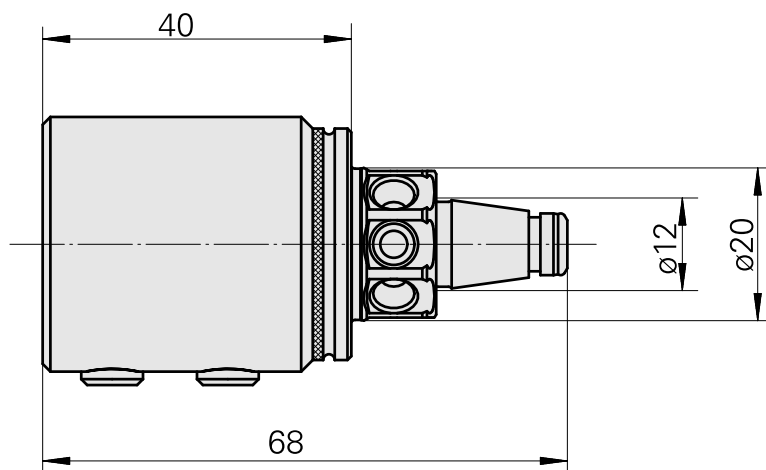
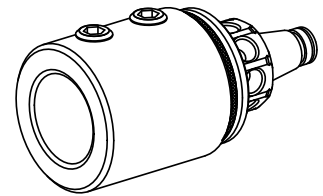
WFB 20-12

Mounting

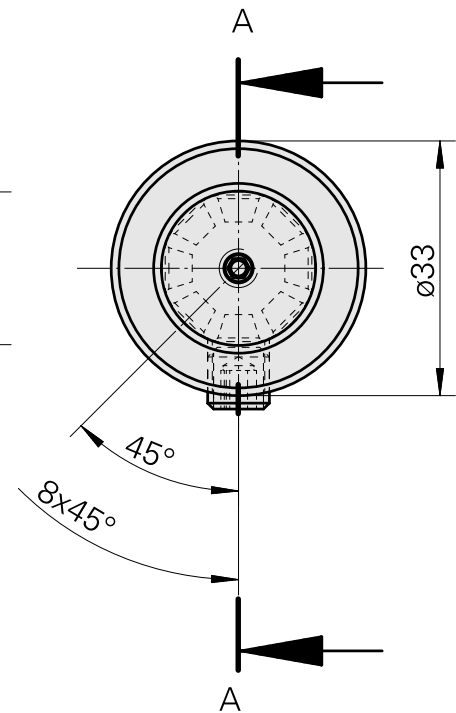
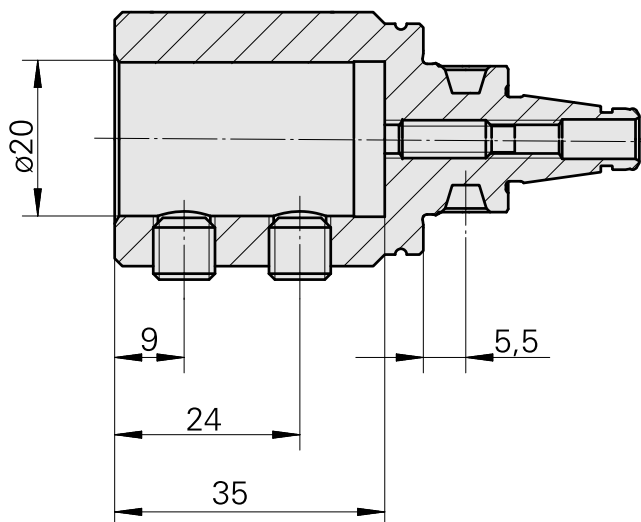
D20

Quick change inserts

Boring tool holder



A-A



Documents

No downloads available for this product

Accessories

Optional accessories

Tool holder accessories

[Mounting sleeve with collar D20/ 3mm](#)

Product ID : 10908982

Previous product ID : W68511.0403

TH accessories
category
Mounting sleeve with
collar

Mounting
D20

Tool mounting
3mm

[Mounting sleeve with collar D20/ 4mm](#)

Product ID : 10215398

Previous product ID : W68511.0404

TH accessories
category
Mounting sleeve with
collar

Mounting
D20

Tool mounting
4mm

[Mounting sleeve with collar D20/ 5mm](#)

Product ID : 10832261

Previous product ID : W68510.0405

TH accessories
category
Mounting sleeve with
collar

Mounting
D20

Tool mounting
5mm

[Mounting sleeve with collar D20/ 6mm](#)

Product ID : 10048953
Previous product ID : W68510.0406

TH accessories category Mounting sleeve with collar	Mounting D20	Tool mounting 6mm
--	--------------	-------------------

[Mounting sleeve with collar D20/ 7mm](#)

Product ID : 10224332
Previous product ID : W68510.0407

TH accessories category Mounting sleeve with collar	Mounting D20	Tool mounting 7mm
--	--------------	-------------------

[Mounting sleeve with collar D20/ 8mm](#)

Product ID : 10184191
Previous product ID : W68510.0408

TH accessories category Mounting sleeve with collar	Mounting D20	Tool mounting 8mm
--	--------------	-------------------

[Mounting sleeve with collar D20/ 10mm](#)

Product ID : 10258187
Previous product ID : W68510.0410

TH accessories category Mounting sleeve with collar	Mounting D20	Tool mounting 10mm
--	--------------	--------------------

[Mounting sleeve with collar D20/ 11mm](#)

Product ID : 11010085
Previous product ID : W68510.0411

TH accessories category Mounting sleeve with collar	Mounting D20	Tool mounting 11mm
--	--------------	--------------------

[Mounting sleeve with collar D20/ 12mm](#)

Product ID : 10584331

Previous product ID : W68510.0412

TH accessories
category
Mounting sleeve with
collar

Mounting
D20

Tool mounting
12mm

[Mounting sleeve with collar D20/ 14mm](#)

Product ID : 10681512

Previous product ID : W68510.0414

TH accessories
category
Mounting sleeve with
collar

Mounting
D20

Tool mounting
14mm

[Mounting sleeve with collar D20/ 15mm](#)

Product ID : 10804219

Previous product ID : W68510.0415

TH accessories
category
Mounting sleeve with
collar

Mounting
D20

Tool mounting
15mm

[Mounting sleeve with collar D20/ 16mm](#)

Product ID : 10324366

Previous product ID : W68510.0416

TH accessories
category
Mounting sleeve with
collar

Mounting
D20

Tool mounting
16mm

Other accessories

[Adjusting screw M 5x15](#)

Product ID : 10491071

Previous product ID : 326794

10703859
W9990213

INDEX

SET SCREW 8X8-913

Product ID : 10921433

Previous product ID : 410156.0808
