

Chuck

Technical data

INDEX TRAUB产品

主轴通孔

加工端

外购产品特点

外购生产线

夹具尺寸

外购生产线

C200 • R200

90mm

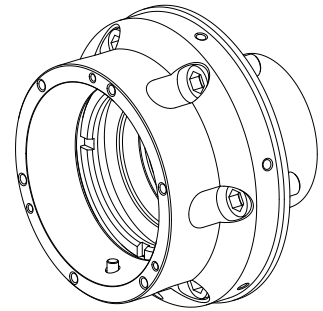
主主轴 • 副主轴

模块化

SPANNTOP nova卡盘

SK100

Hainbuch



No 3-side view is currently available for this product

Documents

No downloads available for this product

Accessories

Optional accessories

Other accessories

[Testa di serraggio SK100 D=30,0mm](#)

Product ID : 10519274

Previous product ID : 900482.W300

Clamping device size SK100	manufacturer product line SPANNTOP nova chuck	Clamping type Soft for custom boring	Nominal diameter (mm) 30 Millimeter
Clamping method External clamping	manufacturer product line Hainbuch		

[Testa di serraggio SK100 D=47,00mm](#)

Product ID : 10560877

Previous product ID : 900482.G470

Clamping device size SK100	manufacturer product line SPANNTOP nova chuck	Clamping type smooth	Nominal diameter (mm) 47 Millimeter
Clamping method External clamping	manufacturer product line Hainbuch		

[Testa di serraggio SK100 D=48,00mm](#)

Product ID : 10977625

Previous product ID : 900482.G480

Clamping device size SK100	manufacturer product line SPANNTOP nova chuck	Clamping type smooth	Nominal diameter (mm) 48 Millimeter
Clamping method External clamping	manufacturer product line Hainbuch		

Testa di serraggio SK100 D=49,00mm

Product ID : 10765141

Previous product ID : 900482.G490

Clamping device size SK100	manufacturer product line SPANNTOP nova chuck	Clamping type smooth	Nominal diameter (mm) 49 Millimeter
Clamping method External clamping	manufacturer product line Hainbuch		

Testa di serraggio SK100 D=50,00mm

Product ID : 11008584

Previous product ID : 900482.G500

Clamping device size SK100	manufacturer product line SPANNTOP nova chuck	Clamping type smooth	Nominal diameter (mm) 50 Millimeter
Clamping method External clamping	manufacturer product line Hainbuch		

Testa di serraggio SK100 D=51,00mm

Product ID : 10506765

Previous product ID : 900482.G510

Clamping device size SK100	manufacturer product line SPANNTOP nova chuck	Clamping type smooth	Nominal diameter (mm) 51 Millimeter
Clamping method External clamping	manufacturer product line Hainbuch		

Testa di serraggio SK100 D=52,00mm

Product ID : 10106179

Previous product ID : 900482.G520

Clamping device size SK100	manufacturer product line SPANNTOP nova chuck	Clamping type smooth	Nominal diameter (mm) 52 Millimeter
Clamping method External clamping	manufacturer product line Hainbuch		

Testa di serraggio SK100 D=53,00mm

Product ID : 10877453

Previous product ID : 900482.G530

Clamping device size SK100	manufacturer product line SPANNTOP nova chuck	Clamping type smooth	Nominal diameter (mm) 53 Millimeter
Clamping method External clamping	manufacturer product line Hainbuch		

Testa di serraggio SK100 D=54,00mm

Product ID : 10799705

Previous product ID : 900482.G540

Clamping device size SK100	manufacturer product line SPANNTOP nova chuck	Clamping type smooth	Nominal diameter (mm) 54 Millimeter
Clamping method External clamping	manufacturer product line Hainbuch		

Testa di serraggio SK100 D=55,00mm

Product ID : 10030608

Previous product ID : 900482.G550

Clamping device size SK100	manufacturer product line SPANNTOP nova chuck	Clamping type smooth	Nominal diameter (mm) 55 Millimeter
Clamping method External clamping	manufacturer product line Hainbuch		

Testa di serraggio SK100 D=56,00mm

Product ID : 10694316

Previous product ID : 900482.G560

Clamping device size SK100	manufacturer product line SPANNTOP nova chuck	Clamping type smooth	Nominal diameter (mm) 56 Millimeter
Clamping method External clamping	manufacturer product line Hainbuch		

Testa di serraggio SK100 D=57,00mm

Product ID : 10924885

Previous product ID : 900482.G570

Clamping device size SK100	manufacturer product line SPANNTOP nova chuck	Clamping type smooth	Nominal diameter (mm) 57 Millimeter
Clamping method External clamping	manufacturer product line Hainbuch		

Testa di serraggio SK100 D=58,00mm

Product ID : 10417057

Previous product ID : 900482.G580

Clamping device size SK100	manufacturer product line SPANNTOP nova chuck	Clamping type smooth	Nominal diameter (mm) 58 Millimeter
Clamping method External clamping	manufacturer product line Hainbuch		

Testa di serraggio SK100 D=59,00mm

Product ID : 10725061

Previous product ID : 900482.G590

Clamping device size SK100	manufacturer product line SPANNTOP nova chuck	Clamping type smooth	Nominal diameter (mm) 59 Millimeter
Clamping method External clamping	manufacturer product line Hainbuch		

Testa di serraggio SK100 D=60,00mm

Product ID : 10517020

Previous product ID : 900482.G600

Clamping device size SK100	manufacturer product line SPANNTOP nova chuck	Clamping type smooth	Nominal diameter (mm) 60 Millimeter
Clamping method External clamping	manufacturer product line Hainbuch		

Testa di serraggio SK100 D=61,00mm

Product ID : 10615594

Previous product ID : 900482.G610

Clamping device size SK100	manufacturer product line SPANNTOP nova chuck	Clamping type smooth	Nominal diameter (mm) 61 Millimeter
Clamping method External clamping	manufacturer product line Hainbuch		

Testa di serraggio SK100 D=62,00mm

Product ID : 10870812

Previous product ID : 900482.G620

Clamping device size SK100	manufacturer product line SPANNTOP nova chuck	Clamping type smooth	Nominal diameter (mm) 62 Millimeter
Clamping method External clamping	manufacturer product line Hainbuch		

Testa di serraggio SK100 D=63,00mm

Product ID : 10927177

Previous product ID : 900482.G630

Clamping device size SK100	manufacturer product line SPANNTOP nova chuck	Clamping type smooth	Nominal diameter (mm) 63 Millimeter
Clamping method External clamping	manufacturer product line Hainbuch		

Testa di serraggio SK100 D=64,00mm

Product ID : 10046404

Previous product ID : 900482.G640

Clamping device size SK100	manufacturer product line SPANNTOP nova chuck	Clamping type smooth	Nominal diameter (mm) 64 Millimeter
Clamping method External clamping	manufacturer product line Hainbuch		

Testa di serraggio SK100 D=65,00mm

Product ID : 10966557

Previous product ID : 900482.G650

Clamping device size SK100	manufacturer product line SPANNTOP nova chuck	Clamping type smooth	Nominal diameter (mm) 65 Millimeter
Clamping method External clamping	manufacturer product line Hainbuch		

Testa di serraggio SK100 D=66,00mm

Product ID : 10288817

Previous product ID : 900482.G660

Clamping device size SK100	manufacturer product line SPANNTOP nova chuck	Clamping type smooth	Nominal diameter (mm) 66 Millimeter
Clamping method External clamping	manufacturer product line Hainbuch		

Testa di serraggio SK100 D=67,00mm

Product ID : 10641524

Previous product ID : 900482.G670

Clamping device size SK100	manufacturer product line SPANNTOP nova chuck	Clamping type smooth	Nominal diameter (mm) 67 Millimeter
Clamping method External clamping	manufacturer product line Hainbuch		

Testa di serraggio SK100 D=68,00mm

Product ID : 11047033

Previous product ID : 900482.G680

Clamping device size SK100	manufacturer product line SPANNTOP nova chuck	Clamping type smooth	Nominal diameter (mm) 68 Millimeter
Clamping method External clamping	manufacturer product line Hainbuch		

Testa di serraggio SK100 D=69,00mm

Product ID : 10519286

Previous product ID : 900482.G690

Clamping device size SK100	manufacturer product line SPANNTOP nova chuck	Clamping type smooth	Nominal diameter (mm) 69 Millimeter
Clamping method External clamping	manufacturer product line Hainbuch		

Testa di serraggio SK100 D=70,00mm

Product ID : 11035791

Previous product ID : 900482.G700

Clamping device size SK100	manufacturer product line SPANNTOP nova chuck	Clamping type smooth	Nominal diameter (mm) 70 Millimeter
Clamping method External clamping	manufacturer product line Hainbuch		

Testa di serraggio SK100 D=71,00mm

Product ID : 11035735

Previous product ID : 900482.G710

Clamping device size SK100	manufacturer product line SPANNTOP nova chuck	Clamping type smooth	Nominal diameter (mm) 71 Millimeter
Clamping method External clamping	manufacturer product line Hainbuch		

Testa di serraggio SK100 D=72,00mm

Product ID : 10042347

Previous product ID : 900482.G720

Clamping device size SK100	manufacturer product line SPANNTOP nova chuck	Clamping type smooth	Nominal diameter (mm) 72 Millimeter
Clamping method External clamping	manufacturer product line Hainbuch		

Testa di serraggio SK100 D=73,00mm

Product ID : 10312641

Previous product ID : 900482.G730

Clamping device size SK100	manufacturer product line SPANNTOP nova chuck	Clamping type smooth	Nominal diameter (mm) 73 Millimeter
Clamping method External clamping	manufacturer product line Hainbuch		

Testa di serraggio SK100 D=74,00mm

Product ID : 10667728

Previous product ID : 900482.G740

Clamping device size SK100	manufacturer product line SPANNTOP nova chuck	Clamping type smooth	Nominal diameter (mm) 74 Millimeter
Clamping method External clamping	manufacturer product line Hainbuch		

Testa di serraggio SK100 D=75,00mm

Product ID : 11001369

Previous product ID : 900482.G750

Clamping device size SK100	manufacturer product line SPANNTOP nova chuck	Clamping type smooth	Nominal diameter (mm) 75 Millimeter
Clamping method External clamping	manufacturer product line Hainbuch		

Testa di serraggio SK100 D=76,00mm

Product ID : 10558087

Previous product ID : 900482.G760

Clamping device size SK100	manufacturer product line SPANNTOP nova chuck	Clamping type smooth	Nominal diameter (mm) 76 Millimeter
Clamping method External clamping	manufacturer product line Hainbuch		

Testa di serraggio SK100 D=77,00mm

Product ID : 10557618

Previous product ID : 900482.G770

Clamping device size SK100	manufacturer product line SPANNTOP nova chuck	Clamping type smooth	Nominal diameter (mm) 77 Millimeter
Clamping method External clamping	manufacturer product line Hainbuch		

Testa di serraggio SK100 D=78,00mm

Product ID : 10903866

Previous product ID : 900482.G780

Clamping device size SK100	manufacturer product line SPANNTOP nova chuck	Clamping type smooth	Nominal diameter (mm) 78 Millimeter
Clamping method External clamping	manufacturer product line Hainbuch		

Testa di serraggio SK100 D=79,00mm

Product ID : 10700752

Previous product ID : 900482.G790

Clamping device size SK100	manufacturer product line SPANNTOP nova chuck	Clamping type smooth	Nominal diameter (mm) 79 Millimeter
Clamping method External clamping	manufacturer product line Hainbuch		

Testa di serraggio SK100 D=80,00mm

Product ID : 10824681

Previous product ID : 900482.G800

Clamping device size SK100	manufacturer product line SPANNTOP nova chuck	Clamping type smooth	Nominal diameter (mm) 80 Millimeter
Clamping method External clamping	manufacturer product line Hainbuch		

Testa di serraggio SK100 D=81,00mm

Product ID : 10941183

Previous product ID : 900482.G810

Clamping device size SK100	manufacturer product line SPANNTOP nova chuck	Clamping type smooth	Nominal diameter (mm) 81 Millimeter
Clamping method External clamping	manufacturer product line Hainbuch		

Testa di serraggio SK100 D=82,00mm

Product ID : 10643268

Previous product ID : 900482.G820

Clamping device size SK100	manufacturer product line SPANNTOP nova chuck	Clamping type smooth	Nominal diameter (mm) 82 Millimeter
Clamping method External clamping	manufacturer product line Hainbuch		

Testa di serraggio SK100 D=83,00mm

Product ID : 10710745

Previous product ID : 900482.G830

Clamping device size SK100	manufacturer product line SPANNTOP nova chuck	Clamping type smooth	Nominal diameter (mm) 83 Millimeter
Clamping method External clamping	manufacturer product line Hainbuch		

Testa di serraggio SK100 D=84,00mm

Product ID : 10280515

Previous product ID : 900482.G840

Clamping device size SK100	manufacturer product line SPANNTOP nova chuck	Clamping type smooth	Nominal diameter (mm) 84 Millimeter
Clamping method External clamping	manufacturer product line Hainbuch		

Testa di serraggio SK100 D=85,00mm

Product ID : 10936753

Previous product ID : 900482.G850

Clamping device size SK100	manufacturer product line SPANNTOP nova chuck	Clamping type smooth	Nominal diameter (mm) 85 Millimeter
Clamping method External clamping	manufacturer product line Hainbuch		

Testa di serraggio SK100 D=86,00mm

Product ID : 10521240

Previous product ID : 900482.G860

Clamping device size SK100	manufacturer product line SPANNTOP nova chuck	Clamping type smooth	Nominal diameter (mm) 86 Millimeter
Clamping method External clamping	manufacturer product line Hainbuch		

Testa di serraggio SK100 D=87,00mm

Product ID : 10889017

Previous product ID : 900482.G870

Clamping device size SK100	manufacturer product line SPANNTOP nova chuck	Clamping type smooth	Nominal diameter (mm) 87 Millimeter
Clamping method External clamping	manufacturer product line Hainbuch		

Testa di serraggio SK100 D=88,00mm

Product ID : 10467939

Previous product ID : 900482.G880

Clamping device size SK100	manufacturer product line SPANNTOP nova chuck	Clamping type smooth	Nominal diameter (mm) 88 Millimeter
Clamping method External clamping	manufacturer product line Hainbuch		

Testa di serraggio SK100 D=89,00mm

Product ID : 10800150

Previous product ID : 900482.G890

Clamping device size SK100	manufacturer product line SPANNTOP nova chuck	Clamping type smooth	Nominal diameter (mm) 89 Millimeter
Clamping method External clamping	manufacturer product line Hainbuch		

Testa di serraggio SK100 D=90,00mm

Product ID : 10012681

Previous product ID : 900482.G900

Clamping device size SK100	manufacturer product line SPANNTOP nova chuck	Clamping type smooth	Nominal diameter (mm) 90 Millimeter
Clamping method External clamping	manufacturer product line Hainbuch		

Changing Fixture PP100

Product ID : 10965185

Previous product ID : 900480.8251

Clamping device size SK100	manufacturer product line SPANNTOP nova chuck • SPANNTOP mini chuck	Clamping type Pneumatic	Clamping method External clamping
manufacturer product line Hainbuch			

Clamping head SK100 D=67,00mm

Product ID : 10732408

Previous product ID : 900482.6700

Clamping device size SK100	manufacturer product line SPANNTOP nova chuck	Clamping type grooved	Nominal diameter (mm) 67 Millimeter
Clamping method External clamping	manufacturer product line Hainbuch		

Clamping head SK100 D=68,00mm

Product ID : 10503518

Previous product ID : 900482.6800

Clamping device size SK100	manufacturer product line SPANNTOP nova chuck	Clamping type grooved	Nominal diameter (mm) 68 Millimeter
Clamping method External clamping	manufacturer product line Hainbuch		

Clamping head SK100 D=69,00mm

Product ID : 10584560

Previous product ID : 900482.6900

Clamping device size SK100	manufacturer product line SPANNTOP nova chuck	Clamping type grooved	Nominal diameter (mm) 69 Millimeter
Clamping method External clamping	manufacturer product line Hainbuch		

Clamping head SK100 D=70,00mm

Product ID : 11000535

Previous product ID : 900482.7000

Clamping device size SK100	manufacturer product line SPANNTOP nova chuck	Clamping type grooved	Nominal diameter (mm) 70 Millimeter
Clamping method External clamping	manufacturer product line Hainbuch		

Clamping head SK100 D=71,00mm

Product ID : 10487256

Previous product ID : 900482.7100

Clamping device size SK100	manufacturer product line SPANNTOP nova chuck	Clamping type grooved	Nominal diameter (mm) 71 Millimeter
Clamping method External clamping	manufacturer product line Hainbuch		

Clamping head SK100 D=72,00mm

Product ID : 10298134

Previous product ID : 900482.7200

Clamping device size SK100	manufacturer product line SPANNTOP nova chuck	Clamping type grooved	Nominal diameter (mm) 72 Millimeter
Clamping method External clamping	manufacturer product line Hainbuch		

Clamping head SK100 D=73,00mm

Product ID : 10013485

Previous product ID : 900482.7300

Clamping device size SK100	manufacturer product line SPANNTOP nova chuck	Clamping type grooved	Nominal diameter (mm) 73 Millimeter
Clamping method External clamping	manufacturer product line Hainbuch		

Clamping head SK100 D=74,00mm

Product ID : 10474852

Previous product ID : 900482.7400

Clamping device size SK100	manufacturer product line SPANNTOP nova chuck	Clamping type grooved	Nominal diameter (mm) 74 Millimeter
Clamping method External clamping	manufacturer product line Hainbuch		

Clamping head SK100 D=75,00mm

Product ID : 10472585

Previous product ID : 900482.7500

Clamping device size SK100	manufacturer product line SPANNTOP nova chuck	Clamping type grooved	Nominal diameter (mm) 75 Millimeter
Clamping method External clamping	manufacturer product line Hainbuch		

Clamping head SK100 D=76,00mm

Product ID : 10459860

Previous product ID : 900482.7600

Clamping device size SK100	manufacturer product line SPANNTOP nova chuck	Clamping type grooved	Nominal diameter (mm) 76 Millimeter
Clamping method External clamping	manufacturer product line Hainbuch		

Clamping head SK100 D=77,00mm

Product ID : 10144412

Previous product ID : 900482.7700

Clamping device size SK100	manufacturer product line SPANNTOP nova chuck	Clamping type grooved	Nominal diameter (mm) 77 Millimeter
Clamping method External clamping	manufacturer product line Hainbuch		

Clamping head SK100 D=78,00mm

Product ID : 10578475

Previous product ID : 900482.7800

Clamping device size SK100	manufacturer product line SPANNTOP nova chuck	Clamping type grooved	Nominal diameter (mm) 78 Millimeter
Clamping method External clamping	manufacturer product line Hainbuch		

Clamping head SK100 D=79,00mm

Product ID : 10239843

Previous product ID : 900482.7900

Clamping device size SK100	manufacturer product line SPANNTOP nova chuck	Clamping type grooved	Nominal diameter (mm) 79 Millimeter
Clamping method External clamping	manufacturer product line Hainbuch		

Clamping head SK100 D=80,00mm

Product ID : 10267508

Previous product ID : 900482.8000

Clamping device size SK100	manufacturer product line SPANNTOP nova chuck	Clamping type grooved	Nominal diameter (mm) 80 Millimeter
Clamping method External clamping	manufacturer product line Hainbuch		

Clamping head SK100 D=81,00mm

Product ID : 10384035

Previous product ID : 900482.8100

Clamping device size SK100	manufacturer product line SPANNTOP nova chuck	Clamping type grooved	Nominal diameter (mm) 81 Millimeter
Clamping method External clamping	manufacturer product line Hainbuch		

Clamping head SK100 D=82,00mm

Product ID : 10342976

Previous product ID : 900482.8200

Clamping device size SK100	manufacturer product line SPANNTOP nova chuck	Clamping type grooved	Nominal diameter (mm) 82 Millimeter
Clamping method External clamping	manufacturer product line Hainbuch		

Clamping head SK100 D=83,00mm

Product ID : 10799825

Previous product ID : 900482.8300

Clamping device size SK100	manufacturer product line SPANNTOP nova chuck	Clamping type grooved	Nominal diameter (mm) 83 Millimeter
Clamping method External clamping	manufacturer product line Hainbuch		

Clamping head SK100 D=84,00mm

Product ID : 10059754

Previous product ID : 900482.8400

Clamping device size SK100	manufacturer product line SPANNTOP nova chuck	Clamping type grooved	Nominal diameter (mm) 84 Millimeter
Clamping method External clamping	manufacturer product line Hainbuch		

Clamping head SK100 D=85,00mm

Product ID : 11010228

Previous product ID : 900482.8500

Clamping device size SK100	manufacturer product line SPANNTOP nova chuck	Clamping type grooved	Nominal diameter (mm) 85 Millimeter
Clamping method External clamping	manufacturer product line Hainbuch		

Clamping head SK100 D=86,00mm

Product ID : 10135794

Previous product ID : 900482.8600

Clamping device size SK100	manufacturer product line SPANNTOP nova chuck	Clamping type grooved	Nominal diameter (mm) 86 Millimeter
Clamping method External clamping	manufacturer product line Hainbuch		

Clamping head SK100 D=87,00mm

Product ID : 10604305

Previous product ID : 900482.8700

Clamping device size SK100	manufacturer product line SPANNTOP nova chuck	Clamping type grooved	Nominal diameter (mm) 87 Millimeter
Clamping method External clamping	manufacturer product line Hainbuch		

Clamping head SK100 D=88,00mm

Product ID : 10480284

Previous product ID : 900482.8800

Clamping device size SK100	manufacturer product line SPANNTOP nova chuck	Clamping type grooved	Nominal diameter (mm) 88 Millimeter
Clamping method External clamping	manufacturer product line Hainbuch		

Clamping head SK100 D=89,00mm

Product ID : 10137189

Previous product ID : 900482.8900

Clamping device size SK100	manufacturer product line SPANNTOP nova chuck	Clamping type grooved	Nominal diameter (mm) 89 Millimeter
Clamping method External clamping	manufacturer product line Hainbuch		

Clamping head SK100 D=90,00mm

Product ID : 10490695

Previous product ID : 900482.9000

Clamping device size SK100	manufacturer product line SPANNTOP nova chuck	Clamping type grooved	Nominal diameter (mm) 90 Millimeter
Clamping method External clamping	manufacturer product line Hainbuch		

Clamping head SK100 D=42,00mm

Product ID : 10167827

Previous product ID : 900482.G420

Clamping device size SK100	manufacturer product line SPANNTOP nova chuck	Clamping type smooth	Nominal diameter (mm) 42 Millimeter
Clamping method External clamping	manufacturer product line Hainbuch		

Clamping head SK100 D=43,00mm

Product ID : 10089076

Previous product ID : 900482.G430

Clamping device size SK100	manufacturer product line SPANNTOP nova chuck	Clamping type smooth	Nominal diameter (mm) 43 Millimeter
Clamping method External clamping	manufacturer product line Hainbuch		

Clamping head SK100 D=44,00mm

Product ID : 10762107

Previous product ID : 900482.G440

Clamping device size SK100	manufacturer product line SPANNTOP nova chuck	Clamping type smooth	Nominal diameter (mm) 44 Millimeter
Clamping method External clamping	manufacturer product line Hainbuch		

Clamping head SK100 D=45,00mm

Product ID : 10290651

Previous product ID : 900482.G450

Clamping device size SK100	manufacturer product line SPANNTOP nova chuck	Clamping type smooth	Nominal diameter (mm) 45 Millimeter
Clamping method External clamping	manufacturer product line Hainbuch		

Clamping head SK100 D=46,00mm

Product ID : 10172875

Previous product ID : 900482.G460

Clamping device size SK100	manufacturer product line SPANNTOP nova chuck	Clamping type smooth	Nominal diameter (mm) 46 Millimeter
Clamping method External clamping	manufacturer product line Hainbuch		

Clamping head SK100 D=45,0mm

Product ID : 11020097

Previous product ID : 900482.W450

Clamping device size SK100	manufacturer product line SPANNTOP nova chuck	Clamping type Soft for custom boring	Nominal diameter (mm) 45 Millimeter
Clamping method External clamping	manufacturer product line Hainbuch		

Clamping head SK100 D=65,0mm

Product ID : 10000008

Previous product ID : 900482.W650

Clamping device size SK100	manufacturer product line SPANNTOP nova chuck	Clamping type Soft for custom boring	Nominal diameter (mm) 65 Millimeter
Clamping method External clamping	manufacturer product line Hainbuch		

Clamping head

Product ID : 10271062

Previous product ID : 900482.4200

Clamping device size SK100	manufacturer product line SPANNTOP nova chuck	Clamping type grooved	Nominal diameter (mm) 42 Millimeter
Clamping method External clamping	manufacturer product line Hainbuch		

Clamping head

Product ID : 10125381

Previous product ID : 900482.4300

Clamping device size SK100	manufacturer product line SPANNTOP nova chuck	Clamping type grooved	Nominal diameter (mm) 43 Millimeter
Clamping method External clamping	manufacturer product line Hainbuch		

Clamping head

Product ID : 10905945

Previous product ID : 900482.4400

Clamping device size SK100	manufacturer product line SPANNTOP nova chuck	Clamping type grooved	Nominal diameter (mm) 44 Millimeter
Clamping method External clamping	manufacturer product line Hainbuch		

Clamping head

Product ID : 10059759

Previous product ID : 900482.4500

Clamping device size SK100	manufacturer product line SPANNTOP nova chuck	Clamping type grooved	Nominal diameter (mm) 45 Millimeter
Clamping method External clamping	manufacturer product line Hainbuch		

Clamping head

Product ID : 10075220

Previous product ID : 900482.4600

Clamping device size SK100	manufacturer product line SPANNTOP nova chuck	Clamping type grooved	Nominal diameter (mm) 46 Millimeter
Clamping method External clamping	manufacturer product line Hainbuch		

Clamping head

Product ID : 10244757

Previous product ID : 900482.4700

Clamping device size SK100	manufacturer product line SPANNTOP nova chuck	Clamping type grooved	Nominal diameter (mm) 47 Millimeter
Clamping method External clamping	manufacturer product line Hainbuch		

Clamping head

Product ID : 10680015

Previous product ID : 900482.4800

Clamping device size SK100	manufacturer product line SPANNTOP nova chuck	Clamping type grooved	Nominal diameter (mm) 48 Millimeter
Clamping method External clamping	manufacturer product line Hainbuch		

Clamping head

Product ID : 10463399

Previous product ID : 900482.4900

Clamping device size SK100	manufacturer product line SPANNTOP nova chuck	Clamping type grooved	Nominal diameter (mm) 49 Millimeter
Clamping method External clamping	manufacturer product line Hainbuch		

Clamping head

Product ID : 10277240

Previous product ID : 900482.5000

Clamping device size SK100	manufacturer product line SPANNTOP nova chuck	Clamping type grooved	Nominal diameter (mm) 50 Millimeter
Clamping method External clamping	manufacturer product line Hainbuch		

Clamping head

Product ID : 10775785

Previous product ID : 900482.5100

Clamping device size SK100	manufacturer product line SPANNTOP nova chuck	Clamping type grooved	Nominal diameter (mm) 51 Millimeter
Clamping method External clamping	manufacturer product line Hainbuch		

Clamping head

Product ID : 10087816

Previous product ID : 900482.5200

Clamping device size SK100	manufacturer product line SPANNTOP nova chuck	Clamping type grooved	Nominal diameter (mm) 52 Millimeter
Clamping method External clamping	manufacturer product line Hainbuch		

Clamping head

Product ID : 10517956

Previous product ID : 900482.5300

Clamping device size SK100	manufacturer product line SPANNTOP nova chuck	Clamping type grooved	Nominal diameter (mm) 53 Millimeter
Clamping method External clamping	manufacturer product line Hainbuch		

Clamping head

Product ID : 10620091

Previous product ID : 900482.5400

Clamping device size SK100	manufacturer product line SPANNTOP nova chuck	Clamping type grooved	Nominal diameter (mm) 54 Millimeter
Clamping method External clamping	manufacturer product line Hainbuch		

Clamping head

Product ID : 10430266

Previous product ID : 900482.5500

Clamping device size SK100	manufacturer product line SPANNTOP nova chuck	Clamping type grooved	Nominal diameter (mm) 55 Millimeter
Clamping method External clamping	manufacturer product line Hainbuch		

Clamping head

Product ID : 10916028

Previous product ID : 900482.5600

Clamping device size SK100	manufacturer product line SPANNTOP nova chuck	Clamping type grooved	Nominal diameter (mm) 56 Millimeter
Clamping method External clamping	manufacturer product line Hainbuch		

Clamping head

Product ID : 10492785

Previous product ID : 900482.5700

Clamping device size SK100	manufacturer product line SPANNTOP nova chuck	Clamping type grooved	Nominal diameter (mm) 57 Millimeter
Clamping method External clamping	manufacturer product line Hainbuch		

Clamping head

Product ID : 10456035

Previous product ID : 900482.5800

Clamping device size SK100	manufacturer product line SPANNTOP nova chuck	Clamping type grooved	Nominal diameter (mm) 58 Millimeter
Clamping method External clamping	manufacturer product line Hainbuch		

Clamping head

Product ID : 10308328

Previous product ID : 900482.5900

Clamping device size SK100	manufacturer product line SPANNTOP nova chuck	Clamping type grooved	Nominal diameter (mm) 59 Millimeter
Clamping method External clamping	manufacturer product line Hainbuch		

Clamping head

Product ID : 10634384

Previous product ID : 900482.6000

Clamping device size SK100	manufacturer product line SPANNTOP nova chuck	Clamping type grooved	Nominal diameter (mm) 60 Millimeter
Clamping method External clamping	manufacturer product line Hainbuch		

Clamping head

Product ID : 10992111

Previous product ID : 900482.6100

Clamping device size SK100	manufacturer product line SPANNTOP nova chuck	Clamping type grooved	Nominal diameter (mm) 61 Millimeter
Clamping method External clamping	manufacturer product line Hainbuch		

Clamping head

Product ID : 10281555

Previous product ID : 900482.6200

Clamping device size SK100	manufacturer product line SPANNTOP nova chuck	Clamping type grooved	Nominal diameter (mm) 62 Millimeter
Clamping method External clamping	manufacturer product line Hainbuch		

Clamping head

Product ID : 10120486

Previous product ID : 900482.6300

Clamping device size SK100	manufacturer product line SPANNTOP nova chuck	Clamping type grooved	Nominal diameter (mm) 63 Millimeter
Clamping method External clamping	manufacturer product line Hainbuch		

Clamping head

Product ID : 10036632

Previous product ID : 900482.6400

Clamping device size SK100	manufacturer product line SPANNTOP nova chuck	Clamping type grooved	Nominal diameter (mm) 64 Millimeter
Clamping method External clamping	manufacturer product line Hainbuch		

Clamping head

Product ID : 10477854

Previous product ID : 900482.6500

Clamping device size SK100	manufacturer product line SPANNTOP nova chuck	Clamping type grooved	Nominal diameter (mm) 65 Millimeter
Clamping method External clamping	manufacturer product line Hainbuch		

Clamping head

Product ID : 10379412

Previous product ID : 900482.6600

Clamping device size SK100	manufacturer product line SPANNTOP nova chuck	Clamping type grooved	Nominal diameter (mm) 66 Millimeter
Clamping method External clamping	manufacturer product line Hainbuch		

HAINBUCH GREASE 2085/0003

Product ID : 10825733

Previous product ID : 373241.1021

manufacturer product line	Clamping method	manufacturer product line
SPANNTOP nova chuck	External clamping	Hainbuch
• SPANNTOP mini chuck		
• TOPlus chuck		
• TOPlus chuck mini		
• TOPlus chuck with end-stop		