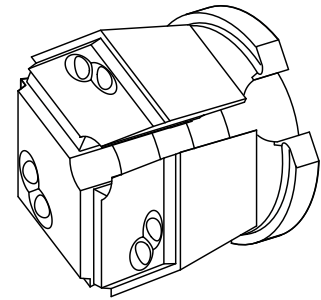


Clamping head

Technical data

夹具尺寸	SK40
外购生产线	TOPlus卡盘
夹紧型式	开槽
名义直径 (mm)	19 Millimeter
夹紧方法	外部夹紧
外购生产线	Hainbuch



No 3-side view is currently available for this product

Documents

No downloads available for this product