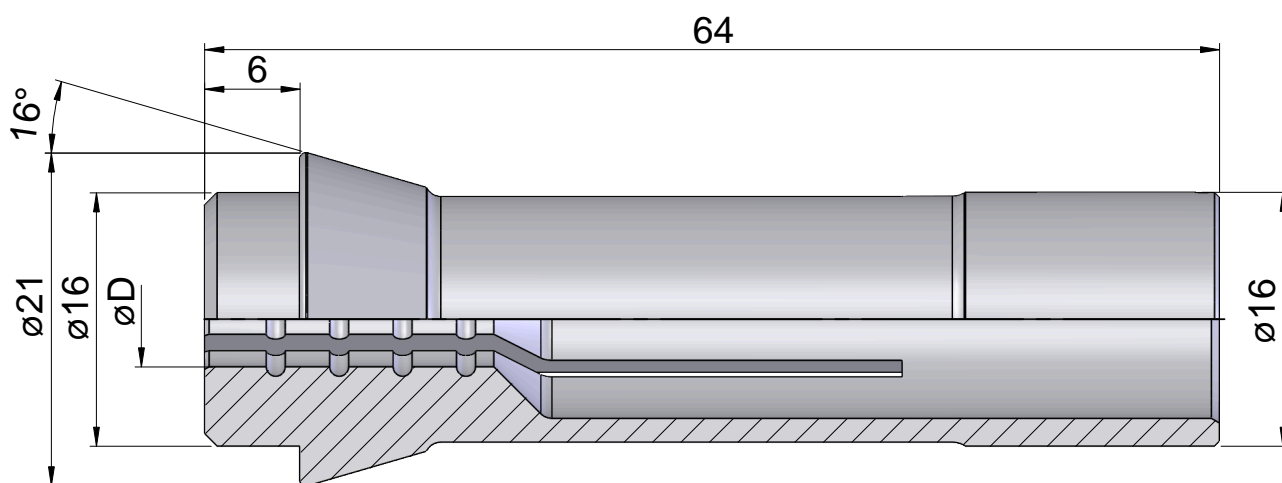


Clamping collet 1212E/F16 Ø=7,00

Technical data

| | |
|---------------------------|-----------------------------|
| Clamping device size | 1212E/F16 |
| manufacturer product line | |
| Clamping type | grooved |
| Nominal diameter (mm) | 7 Millimeter |
| Clamping method | External clamping |
| Collet version | Slots vulcanized (standard) |
| manufacturer product line | Schlenker |



Documents

No downloads available for this product