

WFB 20-12 D12

Technical data

TH accessories category

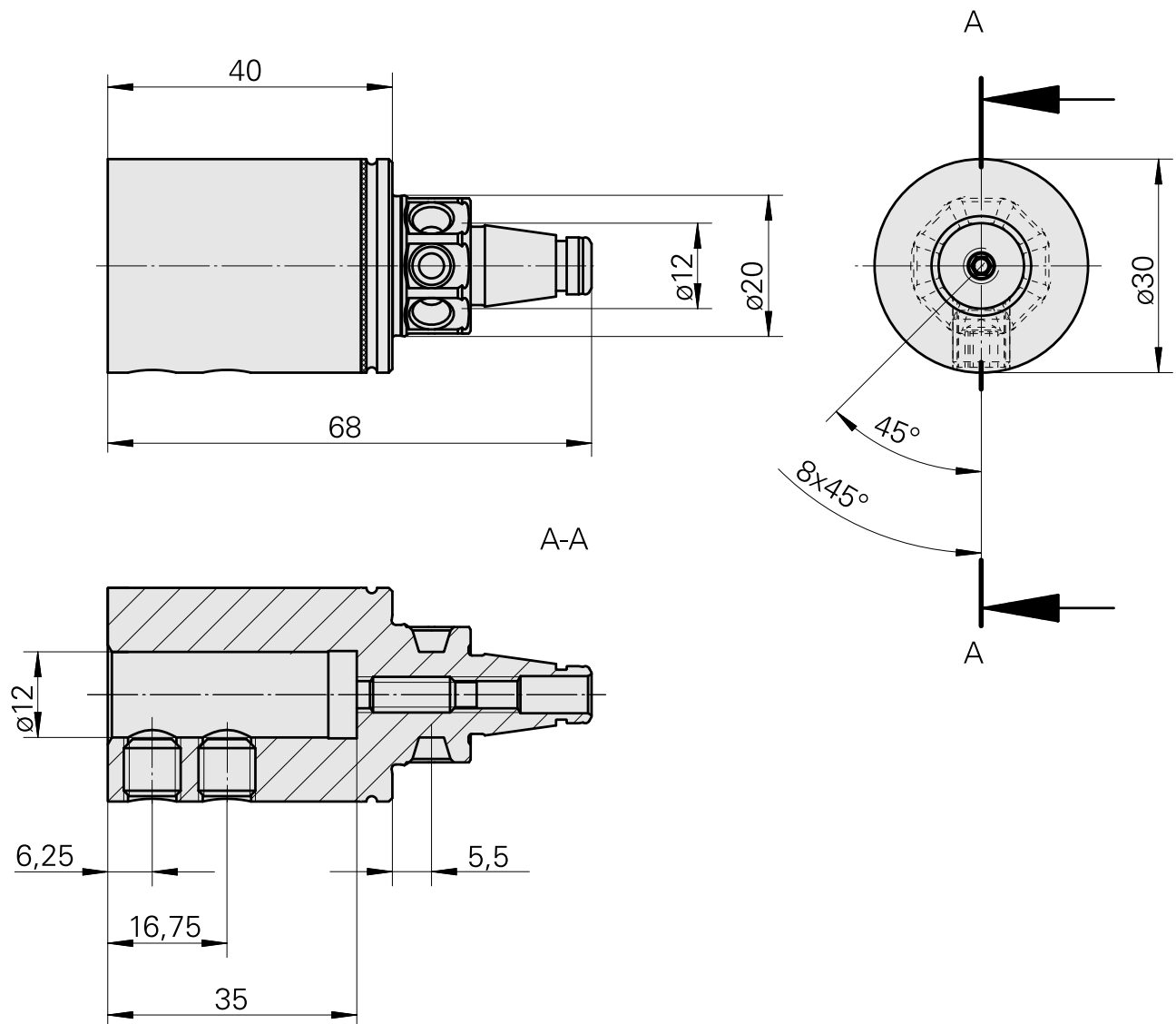
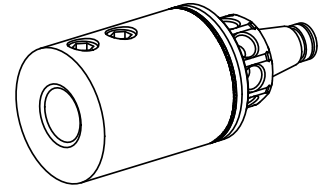
WFB 20-12

Mounting

D12

Quick change inserts

Boring tool holder



Documents

No downloads available for this product

Accessories

Optional accessories

Other accessories

[Mounting sleeve with collar D12](#)

Product ID : 11060576

Previous product ID : W94280.21--

[Adjusting screw M 5x15](#)

Product ID : 10491071

Previous product ID : 326794

[SET SCREW 8X8-913](#)

Product ID : 10921433

Previous product ID : 410156.0808
