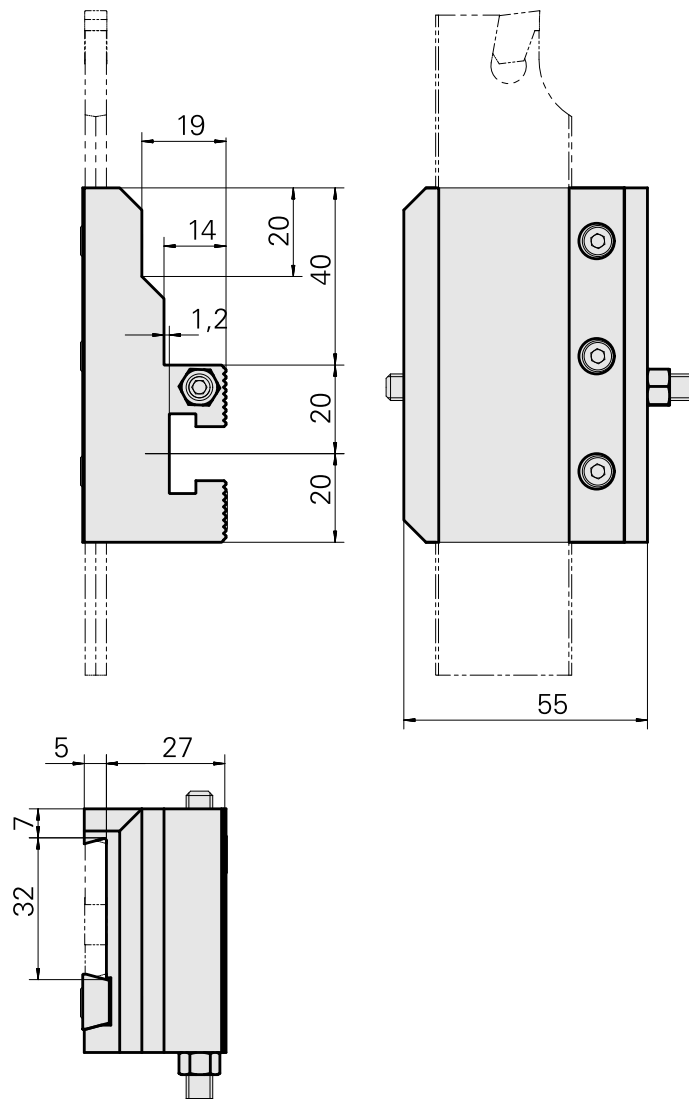
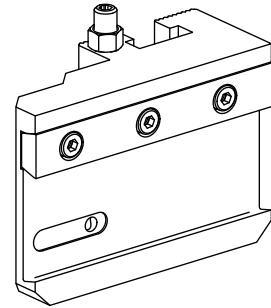


Pièce support plong/fonçage Trapèze 32x5, réglable dans le sens vertical

Technical data

Drive	not live
Cooling	external and internal
Pressure	20 bar
Mounting	Trapezoid 32x5
X [mm]	60 (2.36")
Y [mm]	—
Z [mm]	32 (1.26)
INDEX TRAUB products	C42/65 • G160 • ABC • C100 • C200 • G200 • G200.2 • G220 • ABC.2



Documents

No downloads available for this product